

The logo for Snyder Equipment, Inc. features the word "SNYDER" in large, bold, white, sans-serif capital letters. This text is set against a blue rectangular background. Below the blue background is a horizontal yellow bar. To the left of the yellow bar is a solid yellow circle. To the right of the yellow bar, the words "Equipment, Inc." are written in a smaller, blue, sans-serif font. Below "Equipment, Inc." is the tagline "Storing, Rolling, Lifting since 1947" in an even smaller, blue, sans-serif font.

SNYDER

Equipment, Inc.

Storing, Rolling, Lifting since 1947

PRODUCT INFORMATION

MAYLINE MODULAR WORK STATIONS

2946 Larimer St. Denver, CO 80205
303-295-1100 / 800-373-7693
FAX 303-295-2464
Email info@snyderequipment.com
www.snyderequipment.com

Modular Workstations



**Talon™ Modular Workstations
Communication Station®
Generation II
Domain™**

TALON™ MODULAR WORKSTATIONS

Mayline Customer Service: 1-800-822-8037

Freight Program Applies: **1**

TALON™ MODULAR WORKSTATIONS

Talon Modular Work Stations combine sleek design with key features such as standard rear wheels for easy mobility and fold-down work surfaces for compact storage.

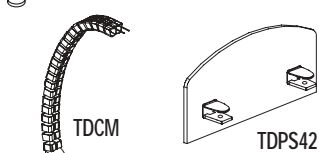
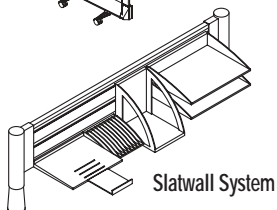
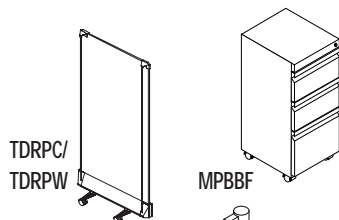
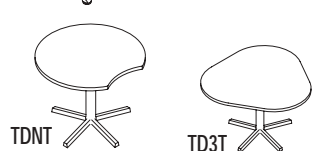
Base Frames: Completely assembled, welded tubular steel construction with standard rear wheels, adjustable front leveling glides, and pivoting fold-down mechanism. Static height Base Frames, including 1"H work surface, fixed at 28 3/4"H. Height

adjustable Base Frames, including 1"H work surface, adjust from 26 1/4" – 29 1/4"H.

Standard Finishes: Black paint (only), Pearwood, and Nebula Gray high pressure laminate

Work Surfaces: 1" furniture-grade particle board with high pressure laminate finish and t-mold edge is standard.

Optional contoured thermofoil membrane surfaces are also available.



Model No.	Description	Required Frame Size	Wt.	HPL List Price	Foil
Talon Work Surfaces (must order with Base Frame)					
TD72R	72" x 30" Right Hand Desk Surface	51"	50#	\$189	\$299
TD72L	72" x 30" Left Hand Desk Surface	51"	50#	\$189	\$299
TD72K	72" x 30" Kidney Desk Surface	51"	50#	\$189	\$299
TD42R	42" x 24" Right Hand Return Surface	34"	25#	\$169	\$249
TD42L	42" x 24" Left Hand Return Surface	34"	25#	\$169	\$249
TD48R	48" x 24" Right Hand Return Surface	34"	30#	\$179	\$259
TD48L	48" x 24" Left Hand Return Surface	34"	30#	\$179	\$259
TD48D	48" x 24" Dual Sided Return Surface	34"	30#	\$179	\$259
TDNT	Round Team Table, 36", Surface and Base		70#	\$399	\$479
TD3T	3-Sided Team Table, 42", Surface and Base		75#	\$399	\$479
Talon Base Frames			Wt.	List Price	
TF34S	34"W x 27 3/4"H Base Frame, Static Height		40#	\$280	
TF34A	34"W x 25 1/4" - 28 1/4"H Table Frame, Adjustable Height		40#	\$470	
TF51S	51"W x 27 3/4"H Base Frame, Static Height		60#	\$320	
TF51A	51"W x 25 1/4" - 28 1/4"H Table Frame, Adjustable Height		60#	\$510	
Talon Rolling Panels – Panel: 31 1/4" x 54"					
TDRPC	Rolling Panel Caddy (order panel separate) – 31 3/4" x 61" Overall		15#	\$224	
TDRPW	White Board Panel for Rolling Panel Caddy		20#	\$175	
TDRPP	Plastic Panel for Rolling Panel Caddy		5#	\$175	
TDRPF	Tackable Fabric Panel for Rolling Panel Caddy		30#	\$325	
Mobile Pedestals					
MPBF	Mobile Pedestal, Box-File		55#	\$345	
MPBBF	Mobile Pedestal, Box-Box-File		86#	\$455	
Surface Accessories					
TA2000	Slatwall 36"W Panel w/ (2) End Posts – 42"W Overall		3#	\$99	
TA1009	Slatwall Binder Holder		1#	\$15	
TA1007	Slatwall Paper Tray (fits both letter and legal size)		1#	\$19	
TA1005	Slatwall Phone Support		1#	\$24	
TA1001	Slatwall CD Holder		1#	\$15	
TA1004	Slatwall Accessory Tray		1#	\$25	
TDCM	Cable Management Channel		3#	\$89	
TDPS42	Fabric Privacy Screen, 42"W, 18"H, Group 1 Fabric		30#	\$229	
TDPS60	Fabric Privacy Screen, 60"W, 18"H, Group 1 Fabric		45#	\$269	

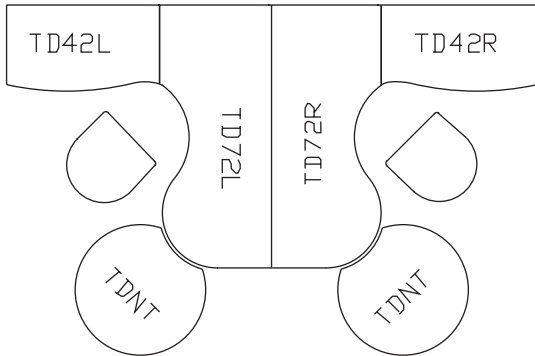
SAMPLE LAYOUTS

Mayline Customer Service: 1-800-822-8037

Talon Modular Workstations offer a multitude of configurations. A few sample layouts are presented below. Prices shown are using Static Base Frames only. For assistance with other designs, please call customer service at 1-800-822-8037.

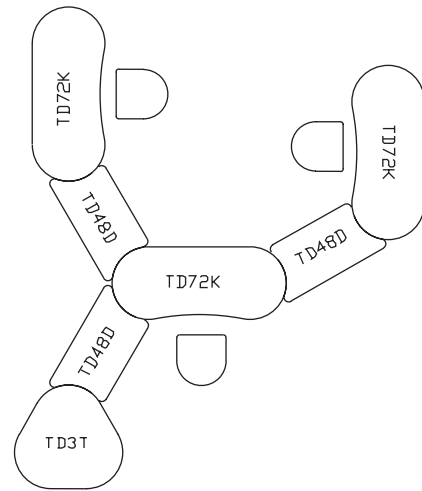
GROUP 1

Total List: \$2,714



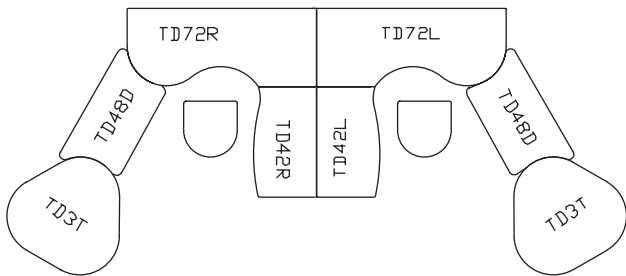
GROUP 2

Total List: \$3,303



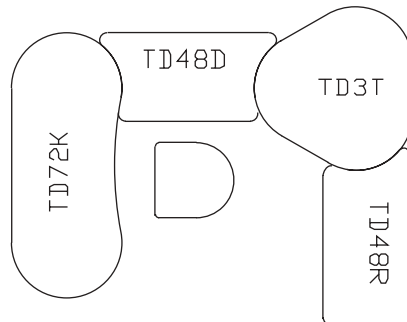
GROUP 3

Total List: \$3,632



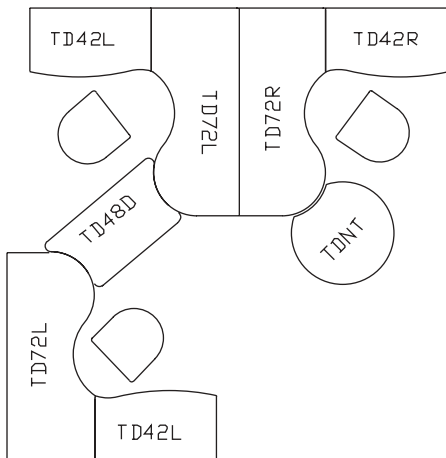
GROUP 4

Total List: \$1,826



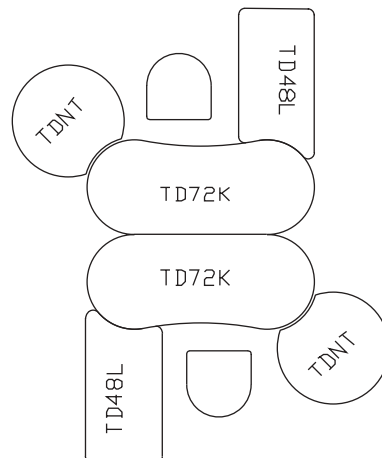
GROUP 5

Total List: \$3,732



GROUP 6

Total List: \$2,734



COMMUNICATION STATION®


Mayline Customer Service: 1-800-822-8037

Communication Station modular workstations can grow and change with your business. Like building blocks, each component is designed to integrate with others to provide a wide range of solutions, creating an efficient productive workspace. Communication Station offers high value and performance with quality construction built to last a lifetime.

- **Tables:** Base is 20 gauge steel with worksurfaces of 1" furniture grade particle board core and high pressure laminate surface. T-molded edge treatment.

- Lateral File and Drawer Pedestals are 20 gauge steel with laminate drawer fronts.
- Overhead unit is 20 gauge steel with laminate uprights and door fronts. Models are priced to include Group 1 Fabrics.

Standard Finishes: Black, Putty, Dove Gray.

Freight Program Applies: 

PRIVATE OFFICE



Desk

Model No.	Dimensions	Wt.	List Price
3066PD	30"D x 66"W x 29 1/2"H	120 #	\$479
3072PD	30"D x 72"W x 29 1/2"H	130 #	\$489
3666PD	36"D x 66"W x 29 1/2"H	140 #	\$489
3672PD	36"D x 72"W x 29 1/2"H	150 #	\$499



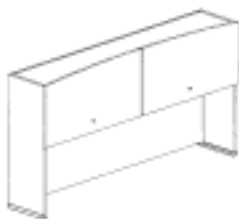
Credenza

Model No.	Dimensions	Wt.	List Price
2466PC	24"D x 66"W x 29 1/2"H	120 #	\$469
2472PC	24"D x 72"W x 29 1/2"H	130 #	\$479



Bridge

Model No.	Dimensions	Wt.	List Price
2148PB	21"D x 48"W x 29 1/2"H	50 #	\$229



Overhead Unit

Model No.	Dimensions	Wt.	List Price
6600PO	13 1/4"D x 66"W x 37"H (Open)	145 #	\$703
6600PT	13 1/4"D x 66"W x 37"H (Tack Panel)	147 #	\$766
6600PW	13 1/4"D x 66"W x 37"H (Wood)	150 #	\$784
7200PO	13 1/4"D x 72"W x 37"H (Open)	155 #	\$718
7200PT	13 1/4"D x 72"W x 37"H (Tack Panel)	157 #	\$820
7200PW	13 1/4"D x 72"W x 37"H (Wood)	160 #	\$835



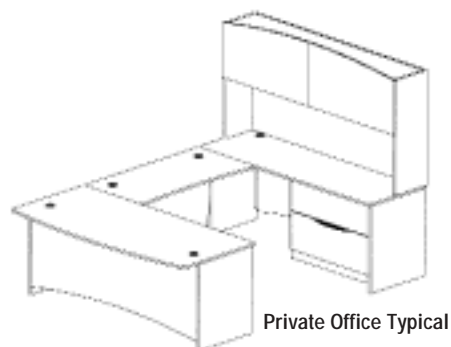
Lateral File

Model No.	Dimensions	Wt.	List Price
3028LF	18"D x 30"W x 28"H	150 #	\$576
3628LF	18"D x 36"W x 28"H	180 #	\$597

Fabric Color for Overhead Tack Panels:

Laminate	Std. Fabric
Oak	Wheat
Nebula Beige	Tan

- All other Laminates have Standard Gray fabric.
- Other fabric options available, call Customer Service for details



Private Office Typical

QTY.	DESCRIPTION	MODEL NO.	LIST PRICE
Private Office			
1	36"D x 72"W x 29 1/2"H Desk	3672PD	\$499
1	24"D x 72"W x 29 1/2"H Credenza	2472PC	\$479
1	13 1/4"D x 72"W x 37"H Overhead	7200PW	\$835
1	21"D x 48"W x 29 1/2"H Bridge	2148PB	\$229
1	18"D x 36"W x 28"H Lateral File	3628LF	\$597

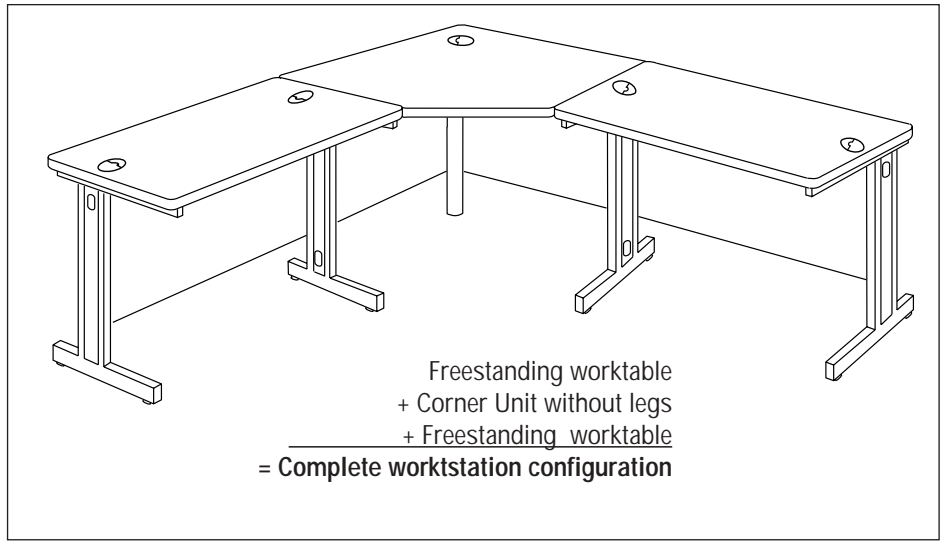
Total List Price

\$2,639

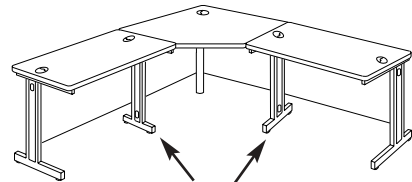
HOW TO CONFIGURE COMMUNICATION STATION® WORKSTATIONS

Mayline Customer Service: 1-800-822-8037

Communication Station® worktables can be used as stand-alone worktables or configured as a workstation. Shown here are examples of both freestanding and multiple worktable configurations.



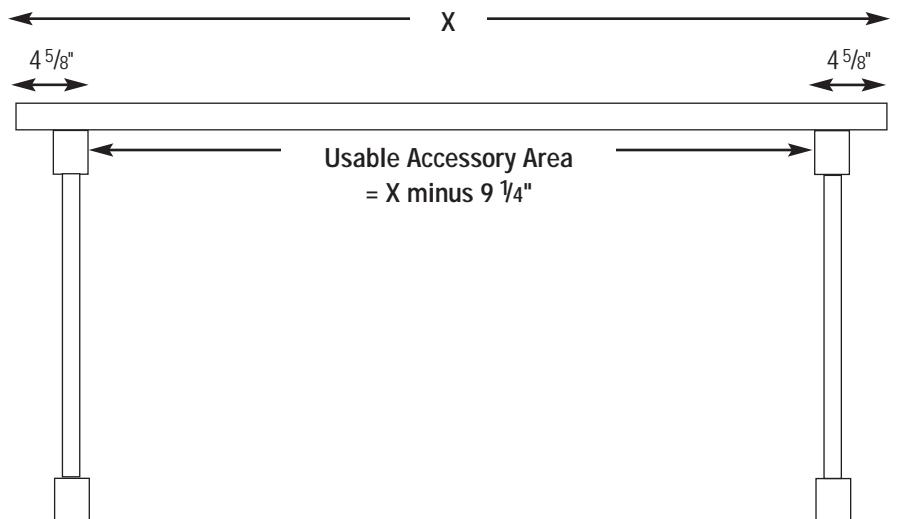
When clear leg room is required, the short base leg assembly may be ordered as a standard. The short and long base legs are reversible. The wire management design allows the installer to locate the short leg on either right or left sides.



Important Note

Usable Accessory Area

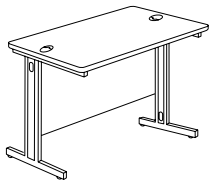
When planning for accessories such as pedestals, center drawers, keyboard trays, etc, keep in mind that due to the inset of the legs, the **usable interior space is 9 1/4" less than the overall width dimension.**



FREESTANDING WORKTABLES

Mayline Customer Service: 1-800-822-8037

Freestanding worktables can be used as stand-alone worktables or configured as a workstation. There is one wire management grommet at each end of 42", 48", 60" and 72" wide worktables and a wire port in each leg upright. Modesty panel included.

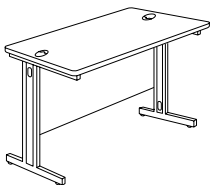


24" deep worktables—keyboard height

Model No.	Dimensions	Wt.	List Price
243026*	30"W x 24"D x 26 1/2"H	51 #	\$332
2430S6*	30"W x 24"D x 26 1/2"H (Short Leg)**	51 #	\$332
243626*	36"W x 24"D x 26 1/2"H	57 #	\$353
2436S6*	36"W x 24"D x 26 1/2"H (Short Leg)**	57 #	\$353
244226	42"W x 24"D x 26 1/2"H	64 #	\$386
2442S6	42"W x 24"D x 26 1/2"H (Short Leg)**	64 #	\$386
244826	48"W x 24"D x 26 1/2"H	71 #	\$407
2448S6	48"W x 24"D x 26 1/2"H (Short Leg)**	71 #	\$407
246026	60"W x 24"D x 26 1/2"H	87 #	\$462
2460S6	60"W x 24"D x 26 1/2"H (Short Leg)**	87 #	\$462
246626	66"W x 24"D x 26 1/2"H	93 #	\$495
2466S6	66"W x 24"D x 26 1/2"H (Short Leg)**	93 #	\$495
247226	72"W x 24"D x 26 1/2"H	103 #	\$516
2472S6	72"W x 24"D x 26 1/2"H (Short Leg)**	103 #	\$516

* No grommet on 30" and 36" widths. 30" wide worktables will not accept any keyboard options (1502AK, 3000KB, or 1514AK)

** (one short leg, one standard leg)

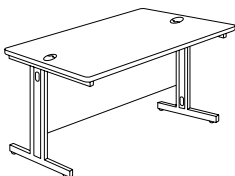


24" deep worktables—desk height

Model No.	Dimensions	Wt.	List Price
243029*	30"W x 24"D x 29 1/2"H	56 #	\$332
2430S9*	30"W x 24"D x 29 1/2"H (Short Leg)**	56 #	\$332
243629*	36"W x 24"D x 29 1/2"H	62 #	\$353
2436S9*	36"W x 24"D x 29 1/2"H (Short Leg)**	62 #	\$353
244229	42"W x 24"D x 29 1/2"H	69 #	\$386
2442S9	42"W x 24"D x 29 1/2"H (Short Leg)**	69 #	\$386
244829	48"W x 24"D x 29 1/2"H	76 #	\$407
2448S9	48"W x 24"D x 29 1/2"H (Short Leg)**	76 #	\$407
246029	60"W x 24"D x 29 1/2"H	91 #	\$462
2460S9	60"W x 24"D x 29 1/2"H (Short Leg)**	91 #	\$462
246629	66"W x 24"D x 29 1/2"H	95 #	\$495
2466S9	66"W x 24"D x 29 1/2"H (Short Leg)**	95 #	\$495
247229	72"W x 24"D x 29 1/2"H	107 #	\$516
2472S9	72"W x 24"D x 29 1/2"H (Short Leg)**	107 #	\$516

* No grommet on 30" and 36" widths. 30" wide worktables will not accept any keyboard options (1502AK, 3000KB, or 1514AK)

** (one short leg, one standard leg)



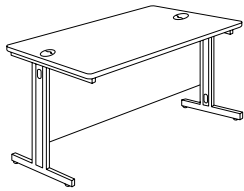
30" deep worktables—keyboard height

Model No.	Dimensions	Wt.	List Price
303026*	30"W x 30"D x 26 1/2"H	58 #	\$348
3030S6*	30"W x 30"D x 26 1/2"H (Short Leg)**	58 #	\$348
303626*	36"W x 30"D x 26 1/2"H	67 #	\$374
3036S6*	36"W x 30"D x 26 1/2"H (Short Leg)**	67 #	\$374
304226	42"W x 30"D x 26 1/2"H	74 #	\$407
3042S6	42"W x 30"D x 26 1/2"H (Short Leg)**	74 #	\$407
304826	48"W x 30"D x 26 1/2"H	81 #	\$446
3048S6	48"W x 30"D x 26 1/2"H (Short Leg)**	81 #	\$446
306026	60"W x 30"D x 26 1/2"H	97 #	\$496
3060S6	60"W x 30"D x 26 1/2"H (Short Leg)**	97 #	\$496
306626	66"W x 30"D x 26 1/2"H	108 #	\$525
3066S6	66"W x 30"D x 26 1/2"H (Short Leg)**	108 #	\$525
307226	72"W x 30"D x 26 1/2"H	120 #	\$565
3072S6	72"W x 30"D x 26 1/2"H (Short Leg)**	120 #	\$565

* No grommet on 30" and 36" widths. 30" wide worktables will not accept any keyboard options (1502AK, 3000KB, or 1514AK)

** (one short leg, one standard leg)

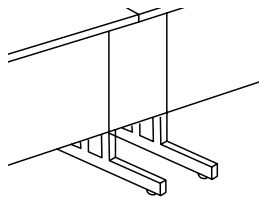
30" deep worktables—desk height



Model No.	Dimensions	Wt.	List Price
303029*	30"W x 30"D x 29 1/2"H	63 #	\$348
3030S9*	30"W x 30"D x 29 1/2"H (Short Leg)**	63 #	\$348
303629*	36"W x 30"D x 29 1/2"H	70 #	\$374
3036S9*	36"W x 30"D x 29 1/2"H (Short Leg)**	70 #	\$374
304229	42"W x 30"D x 29 1/2"H	78 #	\$407
3042S9	42"W x 30"D x 29 1/2"H (Short Leg)**	78 #	\$407
304829	48"W x 30"D x 29 1/2"H	86 #	\$446
3048S9	48"W x 30"D x 29 1/2"H (Short Leg)**	86 #	\$446
306029	60"W x 30"D x 29 1/2"H	100 #	\$496
3060S9	60"W x 30"D x 29 1/2"H (Short Leg)**	100 #	\$496
306629	66"W x 30"D x 29 1/2"H	110 #	\$525
3066S9	66"W x 30"D x 29 1/2"H (Short Leg)**	110 #	\$525
307229	72"W x 30"D x 29 1/2"H	119 #	\$565
3072S9	72"W x 30"D x 29 1/2"H (Short Leg)**	119 #	\$565

* No grommet on 30" and 36" widths. 30" wide worktables will not accept any keyboard options (1502AK, 3000KB, or 1514AK)

** (one short leg, one standard leg)

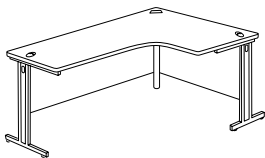


Leg to Leg Cover

- Optional plate which hides cable as it passes from one leg to another.

Model No.	Dimensions	Wt.	List Price
1025CV	Leg to leg cover	3 #	\$27

"J" UNIT WORKTABLES

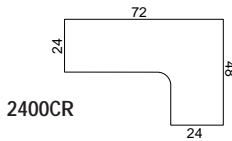


Right-hand version shown

"J" unit worktables can be used free standing or as part of a larger configuration. Two wire manager grommets at each end of the worktable and one grommet at rear of unit. Wire port in each leg upright also included. Modesty panel included. **End panels cannot be used on the return side of "J" worktables.**

- Combines free standing worktable and corner unit into one unit
- Allows for a very compact work area
- Can be used in left/right configurations to create multi person work areas
- Right (CR) and left (CL) hand versions available (right hand version is shown.)
- Detailed dimensions at left

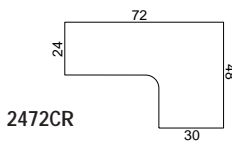
- **With 24" deep return.** For use adjacent to 24" deep worktables.



2400CR

Model No.	Dimensions	Wt.	List Price
2400CL	72"W x 48"D x 29 1/2"H	133 #	\$647
2400CR	72"W x 48"D x 29 1/2"H	133 #	\$647

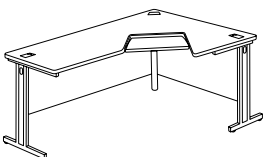
- **With 30" deep return.** For use adjacent to 30" deep worktables.



2472CR

Model No.	Dimensions	Wt.	List Price
2472CL	72"W x 48"D x 29 1/2"H	133 #	\$647
2472CR	72"W x 48"D x 29 1/2"H	133 #	\$647

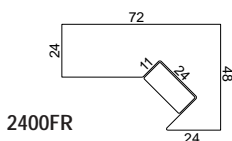
"J" UNIT WORKTABLES WITH BUILT-IN KEYBOARD PLATFORM



Right-hand version shown

- Keyboard Platform is 24"W x 10"D
- Height adjustable range of 5"
- Tilt adjustable from +15° to -15°
- Right (FR) and left (FL) hand versions available (right-hand version shown.)
- Detailed dimensions at left

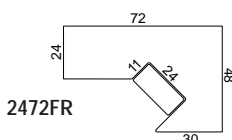
- **With 24" deep return.** For use adjacent to 24" deep worktables.



2400FR

Model No.	Dimensions	Wt.	List Price
2400FL	72"W x 48"D x 29 1/2"H	137 #	\$766
2400FR	72"W x 48"D x 29 1/2"H	137 #	\$766

- **With 30" deep return.** For use adjacent to 30" deep worktables.

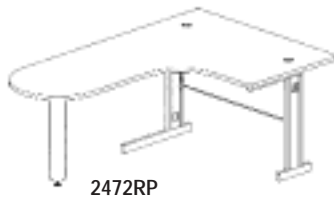


2472FR

Model No.	Dimensions	Wt.	List Price
2472FL	72"W x 48"D x 29 1/2"H	137 #	\$766
2472FR	72"W x 48"D x 29 1/2"H	137 #	\$766

The "P" Table combines a reference surface with a peninsula table. This table is available in either a standard radius or an extended conference radius. Two wire manager grommets at each end of the worktable and one at the rear of the table. **End Panels cannot be used on the return side of the "P" worktable.**

- Allows for a compact work area
- Concealed leg channels provide efficient cable management
- Steel threaded inserts allow fast, sturdy assembly
- Right (RP) & (RB) and Left (LP) & (LB) hand versions available (Right hand (RP) version shown)
- Detailed dimensions at left



2472RP

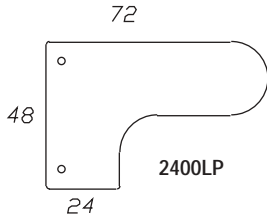
With 24" Deep Return. For use adjacent to 24" deep worktables.

"P" Unit Worktable

Model No.	Dimensions	Wt.	List Price
2400LP	24" x 72" x 48" x 24"	140 #	\$647
2400RP	24" x 72" x 48" x 24"	140 #	\$647

Conference "P" Unit Worktable

Model No.	Dimensions	Wt.	List Price
2400LB	24" x 72" x 48" x 24"	142 #	\$652
2400RB	24" x 72" x 48" x 24"	142 #	\$652



2400LP

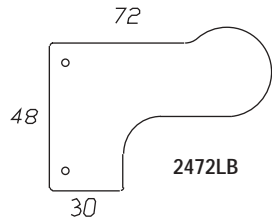
With 30" Deep Return. For use adjacent to 30" deep worktables.

"P" Unit Worktable

Model No.	Dimensions	Wt.	List Price
2472LP	24" x 72" x 48" x 30"	140 #	\$647
2472RP	24" x 72" x 48" x 30"	140 #	\$647

Conference "P" Unit Worktable

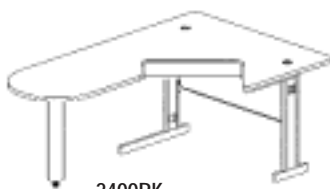
Model No.	Dimensions	Wt.	List Price
2472LB	24" x 72" x 48" x 30"	142 #	\$652
2472RB	24" x 72" x 48" x 30"	142 #	\$652



2472LB

"P" UNIT WORKTABLES WITH BUILT-IN KEYBOARD PLATFORM

- Keyboard Platform is 24"W x 10"D
- Height adjustable range of 5"
- Tilt adjustable from +15° to -15°
- Right (RK) and Left (LK) hand versions available (Right hand version shown)
- Detailed dimensions at left



2400RK

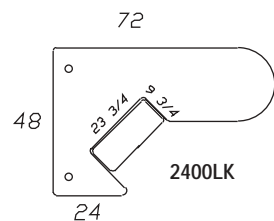
With 24" Deep Return. For use adjacent to 24" deep worktables.

"P" Unit Bi-level Worktable

Model No.	Dimensions	Wt.	List Price
2400LK	24" x 72" x 48" x 24"	140 #	\$766
2400RK	24" x 72" x 48" x 24"	140 #	\$766

Conference "P" Unit Bi-level Worktable

Model No.	Dimensions	Wt.	List Price
2400LZ	24" x 72" x 48" x 24"	142 #	\$774
2400RZ	24" x 72" x 48" x 24"	142 #	\$774



2400LK

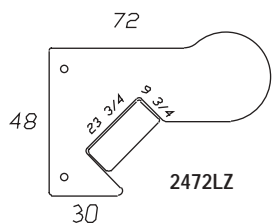
With 30" Deep Return. For use adjacent to 30" deep worktables.

"P" Unit Bi-level Worktable

Model No.	Dimensions	Wt.	List Price
2472LK	24" x 72" x 48" x 30"	140 #	\$766
2472RK	24" x 72" x 48" x 30"	140 #	\$766

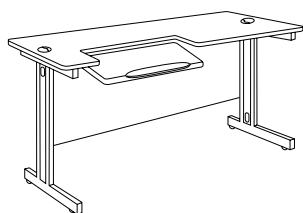
Conference "P" Unit Bi-level Worktable

Model No.	Dimensions	Wt.	List Price
2472LZ	24" x 72" x 48" x 30"	142 #	\$774
2472RZ	24" x 72" x 48" x 30"	142 #	\$774



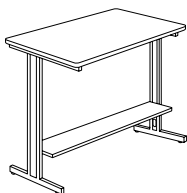
2472LZ

- The advantage of an adjustable keyboard platform and practical desk height combined into one unit.
- Keyboard is 23 5/8"W x 9 3/4"D, includes wrist rest
- Keyboard pad tilts 15° either way, adjusts 5" in range
- 36", 48" and 60"W tables with center keyboard platform will not accept drawer units.
- R (right), C (center), and L (left) indicate keyboard position (left keyboard position is shown.)



Model No.	Dimensions	Wt.	List Price
3036C3	36"W x 30"D x 29 1/2"H	71 #	\$516
3048C3	48"W x 30"D x 29 1/2"H	86 #	\$607
3048L3	48"W x 30"D x 29 1/2"H	86 #	\$607
3048R3	48"W x 30"D x 29 1/2"H	86 #	\$607
3060C3	60"W x 30"D x 29 1/2"H	103 #	\$683
3060L3	60"W x 30"D x 29 1/2"H	103 #	\$683
3060R3	60"W x 30"D x 29 1/2"H	103 #	\$683

STAND-UP HEIGHT, 30" DEEP WORKTABLE

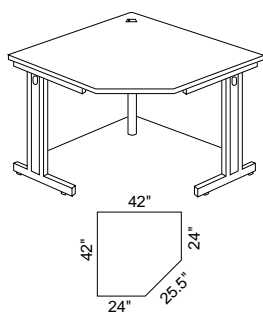


Modesty panel and shelf included.

Model No.	Dimensions	Wt.	List Price
303638	36"W x 30"D x 39 1/2"H	74 #	\$384

CORNER UNITS

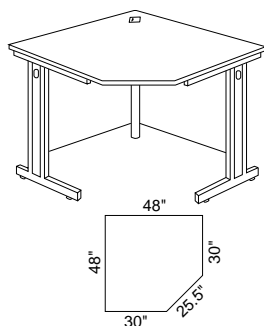
Corner units can be used as freestanding worktables or as part of a larger configuration. Connecting brackets included. Pre-drilled for easy attachment of keyboard platform. Grommet is provided at rear of unit. Modesty panels are standard.



Corner Units for 24" Deep Workstations

Model No.	Dimensions	Wt.	List Price
242226	42"W x 24"D x 26 1/2"H	85 #	\$614
2422S6	42"W x 24"D x 26 1/2"H (Short Leg)**	85 #	\$614
242229	42"W x 24"D x 29 1/2"H	87 #	\$614
2422S9	42"W x 24"D x 29 1/2"H (Short Leg)**	87 #	\$614

** (one short leg, one standard leg)



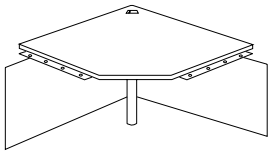
Corner Units for 30" Deep Workstations

Model No.	Dimensions	Wt.	List Price
302126	48"W x 30"D x 26 1/2"H	104 #	\$630
3021S6	48"W x 30"D x 26 1/2"H (Short Leg)**	104 #	\$630
302129	48"W x 30"D x 29 1/2"H	105 #	\$630
3021S9	48"W x 30"D x 29 1/2"H (Short Leg)**	105 #	\$630

** (one short leg, one standard leg)

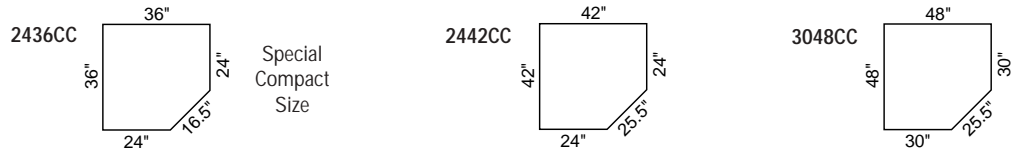
CORNER UNIT WITHOUT LEGS

Mayline Customer Service: 1-800-822-8037



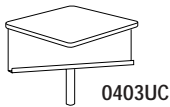
Corner unit without legs must attach to freestanding worktables on both sides. Two attaching flat brackets are included. Modesty panel included. **For 29 1/2" high worktables only. On 36" wide corner worktable, full articulation of the 1502AK or 1514AK Articulating Keyboard Arms is limited and the tray will not raise above the worksurface. Will not accept 3000KB Keyboard Tray.**

Model No.	Dimensions	Wt.	List Price
2436CC	Connects 24" to 24" depths – 36"W x 24"D x 29 1/2"H	80 #	\$605
2442CC	Connects 24" to 24" depths – 42"W x 24"D x 29 1/2"H	95 #	\$617
3048CC	Connects 30" to 30" depths – 48"W x 30"D x 29 1/2"H	115 #	\$629



CONNECTORS

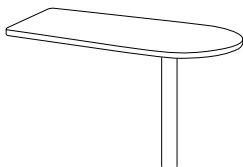
Connectors allow perfect joining of freestanding worktables to one another for larger configurations. Drilled underside top for perfect connections. Two flat brackets and one Z-shaped bracket included. Modesty panel is standard to add structural stability. Fit left or right sides and include rear support leg.



Model No.	Dimensions	Wt.	List Price
0201UC	Connects 24" to 24" depths – 24" to 24"D, square	47 #	\$324
0403UC	Connects 30" to 30" depths – 30" to 30"D, square	56 #	\$324
0203UC	Connects 24" to 30" depths – 24" to 30"D, rectangular	49 #	\$324

PENINSULA TABLES

Peninsula tables provide additional workspace for conferencing and shared work applications. One leg included. Connecting bracket included. Attaches right or left side of 29 1/2"H worktables only.



• 24" Deep Peninsula Tables

Model No.	Dimensions	Wt.	List Price
2448PR	48"W x 24"D x 29 1/2"H	75 #	\$402
2460PR	60"W x 24"D x 29 1/2"H	85 #	\$413
2472PR	72"W x 24"D x 29 1/2"H	97 #	\$435

• 30" Deep Peninsula Tables

Model No.	Dimensions	Wt.	List Price
3048PR	48"W x 30"D x 29 1/2"H	75 #	\$402
3060PR	60"W x 30"D x 29 1/2"H	85 #	\$413
3072PR	72"W x 30"D x 29 1/2"H	97 #	\$435

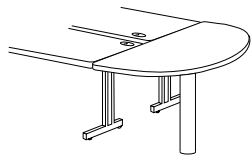
Additional Support Leg

Additional support leg for peninsula tables is used when side of peninsula is attached to the end of a worktable.



Model No.	Dimensions	Wt.	List Price
2900PL	4" dia.	12 #	\$147

Half-round, conferencing end connects two Communication Station worktables that are placed back to back. Unit is sized to leave 1" gap between connected worktables for wire management. Flat brackets are included to join conferencing end to worktables. **Works with 29 1/2"H worktables only.**



- Connects two **24"** worktables back to back

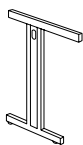
Model No.	Dimensions	Wt.	List Price
2449CE	24"W x 49"D x 29 1/2"H	78 #	\$314

- Connects two **30"** worktables back to back

Model No.	Dimensions	Wt.	List Price
3061CE	30"W x 61"D x 29 1/2"H	85 #	\$348

SHORT BASE LEG ASSEMBLIES

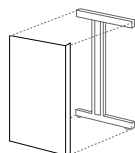
Leg assemblies may be used to create obstruction free leg room for complete mobility. Wire management included in each leg upright.



Model No.	Dimensions	Wt.	List Price
24" Leg			
2426LB	Fits 24"D x 26 1/2"H worktables – 24"W x 26 1/2"H	16 #	\$54
2429LB	Fits 24"D x 29 1/2"H worktables – 24"W x 29 1/2"H	16 #	\$58
30" Leg			
3026LB	Fits 30"D x 26 1/2"H worktables – 30"W x 26 1/2"H	20 #	\$54
3029LB	Fits 30"D x 29 1/2"H worktables – 30"W x 29 1/2"H	20 #	\$58

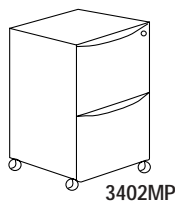
STEEL PANEL END LEG COVER ADAPTERS

Panel end slides over existing leg and mounts to worksurface using existing metal inserts. **Panel end leg cover adapters cannot be used on short base leg assemblies or with any height adjustable worktable.**

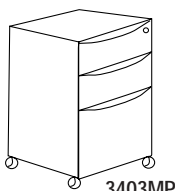


Model No.	Dimensions	Wt.	List Price
24" Deep			
2426EP	Fits 24"D x 26 1/2"H worktables – 24"W x 26 1/2"H x 1 3/16"T	15 #	\$129
2400EP	Fits 24"D x 29 1/2"H worktables – 24"W x 29 1/2"H x 1 3/16"T	15 #	\$129
30" Deep			
3026EP	Fits 30"D x 26 1/2"H worktables – 30"W x 26 1/2"H x 1 3/16"T	18 #	\$129
3000EP	Fits 30"D x 29 1/2"H worktables – 30"W x 29 1/2"H x 1 3/16"T	18 #	\$129

DRAWER PEDESTALS



3402MP

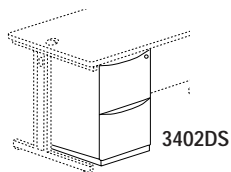


3403MP

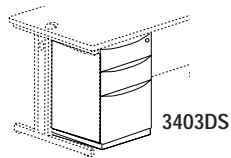
Mobile Drawer Pedestals

- Mobile drawer unit for 24" or 30" deep work tables
- Two file-drawer configurations with gang lock
- Set of four casters (2 locking)
- Includes counterbalance

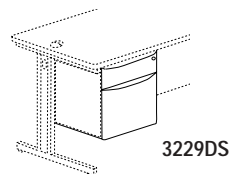
Model No.	Dimensions	Wt.	List Price
3402MP	14 1/2"W x 17 1/2"D x 27 3/4"H	88 #	\$509
3403MP	14 1/2"W x 17 1/2"D x 27 3/4"H	92 #	\$580



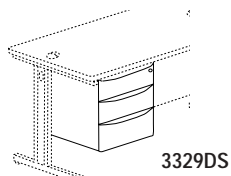
3402DS



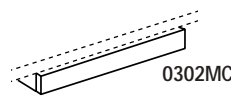
3403DS



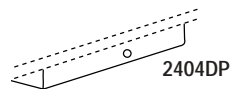
3229DS



3329DS



0302MC



2404DP

Stationary Drawer Pedestals

Drawer pedestals fit 24 & 30" deep Communication Station and most Bi-level worktables. Full extension on file drawer only, 3/4" pull on box drawer, ball bearing suspensions utilized in every drawer. Locks are standard. Post-formed laminate drawer fronts have rounded safety edges. Mounts on left or right.

Model No.	Dimensions	Wt.	List Price
3402DS	Two file drawers – 14 1/2"W x 17 1/2"D x 28 1/4"H	60 #	\$469
3403DS	Two box drawers and one file drawer – 14 1/2"W x 17 1/2"D x 28 1/4"H	64 #	\$509
3229DS	One box drawer and one file drawer – 14 1/2"W x 17 1/2"D x 18 3/4"H	45 #	\$398
3329DS	Three box drawers – 14 1/2"W x 17 1/2"D x 18 3/4"H	44 #	\$427

Hanging File Bars

- Allows for perpendicular filing of folders (set of 2)

Model No.	Dimensions	Wt.	List Price
0440BAR	1/8" x 3/8" x 12 1/2"	2 #	\$10

Center Drawer

- Metal construction with ball bearing progressive suspension and built-in compartment tray
- Non-locking

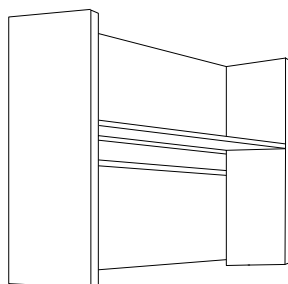
Model No.	Dimensions	Wt.	List Price
0302MC	21 1/2"W x 16 1/2"D x 2 1/2"H	12 #	\$154

Center Drawer with Lock

- Laminate and steel construction center drawer for all units with ball bearing progressive suspension and built-in compartment tray
- Lock standard

Model No.	Dimensions	Wt.	List Price
2404DP	20"W x 17"D x 2 5/8"H	12 #	\$157

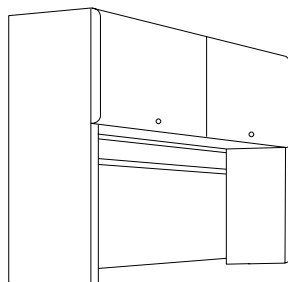
OVERHEAD STORAGE UNITS



Open Shelf Overheads With Fabric Tack Panel

- Specify paint, laminate and fabric colors
- Heavy gauge metal with laminate end caps
- 12 1/2" deep shelf is 20" above desk level
- For Group 2 fabrics, add a "2" to the end of Model No. For Group 3, add a "3."

Model No.	Dimensions	Wt.	Group 1*	Group 2*	Group 3*
3036SU	36"W x 13 1/4"D x 37"H	57 #	\$386	\$418	\$429
3042SU	42"W x 13 1/4"D x 37"H	65 #	\$401	\$434	\$448
3048SU	48"W x 13 1/4"D x 37"H	75 #	\$435	\$472	\$483
3060SU	60"W x 13 1/4"D x 37"H	87 #	\$456	\$505	\$516
3072SU	72"W x 13 1/4"D x 37"H	98 #	\$495	\$554	\$565

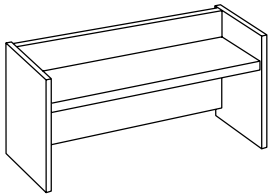


Flipper Door Overheads With Fabric Tack Panel

- Flipper doors travel up and over top of unit. All ball bearing flipper door slides
- Heavy gauge metal with radiused edge laminate doors
- Locks are standard
- Built in valance eliminates glare from optional task light
- 13 1/4" deep shelf is 19 1/3" above desk level
- For Group 2 fabrics, add a "2" to the end of Model No. For Group 3, add a "3."

Model No.	Dimensions	Wt.	Group 1*	Group 2*	Group 3*
3600SW	36"W x 13 1/4"D x 37"H	85 #	\$549	\$581	\$592
4200SW	42"W x 13 1/4"D x 37"H	96 #	\$607	\$641	\$652
4800SW	48"W x 13 1/4"D x 37"H	108 #	\$684	\$722	\$733
6000SW	60"W x 13 1/4"D x 37"H	119 #	\$766	\$809	\$820
6600SW	66"W x 13 1/4"D x 37"H	125 #	\$795	\$845	\$856
7200SW	72"W x 13 1/4"D x 37"H	128 #	\$820	\$879	\$890

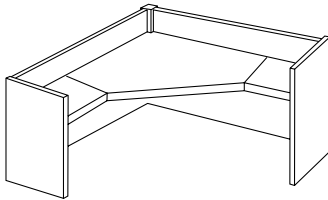
Mini Open Shelf Overhead



- Shelf is located at 18" above worksurface for easy reach
- Fabric tack panel included
- Grommet located on left side
- For Group 2 fabrics, add a "2" to the end of Model No. For Group 3, add a "3."

Model No.	Dimensions	Wt.	Group 1*	Group 2*	Group 3*
3048MO	48"W x 13 1/4"D x 24"H	63 #	\$357	\$390	\$401
3060MO	60"W x 13 1/4"D x 24"H	73 #	\$422	\$455	\$466
3072MO	72"W x 13 1/4"D x 24"H	85 #	\$466	\$493	\$509

Mini Open Shelf Overhead For Corner Units



- Designed to utilize the wasted space above corner unit worktable
- Shelf is located at 18" above worksurface for easy reach
- Fabric tack panels included
- Grommet located on back corner
- For Group 2 fabrics, add a "2" to the end of Model No. For Group 3, add a "3."

Model No.	Dimensions	Wt.	Group 1*	Group 2*	Group 3*
4242MO	41"W x 41"D x 24"H	87 #	\$597	\$641	\$657
4848MO	47"W x 47"D x 24"H	97 #	\$640	\$684	\$701

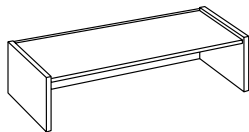
Fabric Color for Overhead Tack Panels:

Laminate Std. Fabric

Oak Wheat
 Nebula Beige Tan

- All other Laminates have Standard Gray fabric.
- Other fabric options available, call Customer Service for details

Shelf Riser



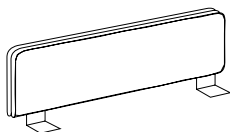
- Add additional shelf space to any worktable 36" wide or larger
- Will support computer monitors

Model No.	Dimensions	Wt.	List Price
3600SR	35"W x 13 1/4"D x 10"H	23 #	\$130
4200SR	41"W x 13 1/4"D x 10"H	28 #	\$151

PARTITION SCREENS

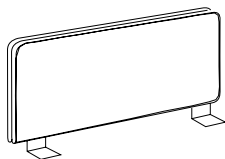
Partition screens are provided in two heights. **Task height** (14 3/8") creates division while allowing visual contact with other workstations. **Privacy height** (22 3/8") prevents visual distraction from surrounding work areas.

- For Group 2 fabrics, add a "2" to the end of Model No. For Group 3, add a "3."
- **Task height screens** (14 3/8" H) — 13 1/8" above worksurface



Model No.	Dimensions	Wt.	Group 1*	Group 2*	Group 3*
1224PS	24"W x 14 3/8"H x 1 1/8"Thick	13 #	\$185	\$236	\$257
1230PS	30"W x 14 3/8"H x 1 1/8"Thick	16 #	\$207	\$274	\$296
1236PS	36"W x 14 3/8"H x 1 1/8"Thick	18 #	\$241	\$291	\$313
1242PS	42"W x 14 3/8"H x 1 1/8"Thick	21 #	\$263	\$329	\$363
1248PS	48"W x 14 3/8"H x 1 1/8"Thick	23 #	\$286	\$352	\$386
1260PS	60"W x 14 3/8"H x 1 1/8"Thick	30 #	\$308	\$392	\$430
1272PS	72"W x 14 3/8"H x 1 1/8"Thick	35 #	\$330	\$456	\$503

- Privacy height screens (22 3/8" H) — 21 1/8" above worksurface



Model No.	Dimensions	Wt.	Group 1*	Group 2*	Group 3*
1124PS	24"W x 22 3/8"H x 1 1/8"Thick	19 #	\$207	\$241	\$263
1130PS	30"W x 22 3/8"H x 1 1/8"Thick	23 #	\$218	\$279	\$308
1136PS	36"W x 22 3/8"H x 1 1/8"Thick	27 #	\$246	\$319	\$347
1142PS	42"W x 22 3/8"H x 1 1/8"Thick	31 #	\$269	\$342	\$375
1148PS	48"W x 22 3/8"H x 1 1/8"Thick	35 #	\$291	\$358	\$397
1160PS	60"W x 22 3/8"H x 1 1/8"Thick	44 #	\$319	\$402	\$436
1172PS	72"W x 22 3/8"H x 1 1/8"Thick	53 #	\$341	\$468	\$513

To Specify Fabric Color:

1. List Model Number 1148PS
2. Add Fabric Color, 1148PS**BAL**.

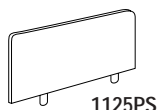
Example: 1148PS**BAL** specifies a 48" partition screen with Balboa/Lido fabric.

PLEASE REFER TO PAGE 60 FOR AVAILABLE FABRIC COLOR CHOICES

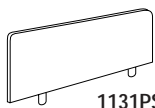


Model No.	Dimensions	Wt.	List Price
90° Corner Panel Connectors			
11CCPS	Connects two privacy height partition screens – 2"W x 23"H x .030"Thick	4 #	\$33
12CCPS	Connects two task height partition screens – 2"W x 15"H x .030"Thick	2 #	\$33
"T" Panel Connectors			
11TCPS	Connects three privacy height partition screens – 4"W x 21 1/4"H x .030"Thick	4 #	\$44
12TCPS	Connects three task height partition screens – 4"W x 13 1/4"H x .030"Thick	2 #	\$44

END PARTITION SCREENS



1125PS



1131PS

End partition screens can be used at the end of any worktable. Panels can also be used to create a carrel when connected to two or more worktables in a straight run. *Available in **privacy height** only.*

- For Group 2 fabrics, add a "2" to the end of Model No. For Group 3, add a "3."

Model No.	Dimensions	Wt.	Group 1*	Group 2*	Group 3*
1125PS	For any 24" deep worktable – 22 1/2"W x 21 3/4"H	22 #	\$185	\$236	\$246
1131PS	For any 30" deep worktable – 28 1/2"W x 21 3/4"H	25 #	\$223	\$269	\$286



11ECPS

90° Corner Connector for End Partition Screens Only

- Specify this connector for connecting end partition screen to privacy height partition screen at the end of a workstation configuration.

Model No.	Dimensions	Wt.	List Price
11ECPS	21 3/4"H	2 #	\$29

To Specify Fabric Color:

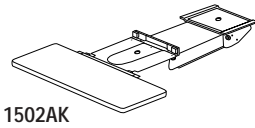
1. List Model Number 1148PS
2. Add Fabric Color, 1148PS**BAL**.

Example: 1148PS**BAL** specifies a 48" partition screen with Balboa/Lido fabric.

PLEASE REFER TO PAGE 60 FOR AVAILABLE FABRIC COLOR CHOICES

Articulating Keyboard Arm Platform

- Articulates in & out and rotates 360°
- Tilts +15° to -15°
- Full articulation is limited on compact corners and "J" Table workstations
- Height adjustment has 5" range
- Meets ADA requirements



1502AK

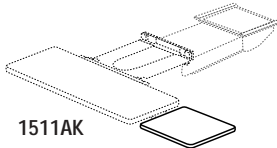
Model No.	Dimensions	Wt.	List Price
1502AK	21 3/4"W x 10"D x 4"H	12 #	\$296

Available in Black Only.

Full articulation is limited on the 2436 compact corner unit and "J" table workstations. In this configuration the tray will not raise above the worksurface.

Mouse Tray

- Connects to left or right side of 1502AK Articulating Keyboard Arm
- Swivels and tilts independently from keyboard tray 8"
- Full articulation is limited on compact corners and "J" Table workstations



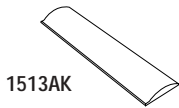
1511AK

Model No.	Dimensions	Wt.	List Price
1511AK	8"W x 8"D x 1/2"H	12 #	\$72

Available in Black Only.

Wrist Rest

- Attaches to 1502AK Articulating Keyboard Arm



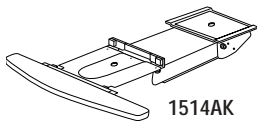
1513AK

Model No.	Dimensions	Wt.	List Price
1513AK	20 1/2"W x 2"D x 3/4"H	2 #	\$39

Available in Black Only.

Articulating Keyboard Arm with Clamp

- Articulates in & out - rotates 360° - tilts +15° to -15°
- Height adjustment has 5" range
- Full articulation is limited on compact corners and "J" Table workstations
- Wrist rest is included
- Meets ADA requirements
- Keyboard is secured to arm with adjustable clamp



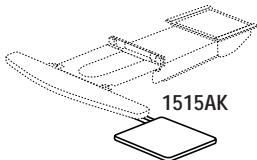
1514AK

Model No.	Dimensions	Wt.	List Price
1514AK	20 1/2"W x 2"D x 3/4"H	15 #	\$323

Available in Black Only.

Clamp Version Mouse Tray

- Attaches to left or right side of 1514AK Articulating Keyboard Arm
- Swivels and Tilts independently from clamp



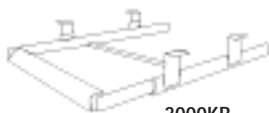
1515AK

Model No.	Dimensions	Wt.	List Price
1515AK	8"W x 8"D x 1/2"H	9 #	\$101

Available in Black Only.

Keyboard Tray

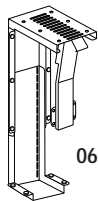
- Mounting brackets adjust to seven different heights and can be reversed for inboard or outboard mounting (outboard shown.)
- Features a cushioned wrist rest that is adjustable to five heights
- Accepts keyboards up to 3.6" thick
- Recommended for 29"H worktables only
- Overall space required 21 3/4"W x 17"D (inboard bracket position) or 24" on outboard bracket position
- Not to be used with 24" x 36" corner units
- Will not fit on 60" worksurface with drawer pedestals on each side



3000KB

Model No.	Dimensions	Wt.	List Price
3000KB	21 1/4"W x 9 1/2"D	16 #	\$144

Available in Black Only.



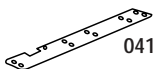
0600HR

CPU Rack

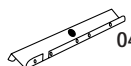
- Mounts vertically to underside of worksurface
- Height adjustable 15" - 24" - Width adjustable 3" - 9"
- Supports up to 85 lbs.
- 16 gauge steel construction
- Single hand operation

Model No.	Dimensions	Wt.	List Price
0600HR	13"D x adjustable height and width	14 #	\$156

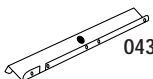
Available in Black Only.



0410FB



0424ZB



0430ZB

Connecting Brackets

Model No.	Dimensions	Wt.	List Price
0410FB	Flat bracket – 20"W x 4"D	2 #	\$34
0424ZB	Z-shaped bracket – 24"W x 3"D	4 #	\$34
0430ZB	Z-shaped bracket – 30"W x 3"D	5 #	\$34

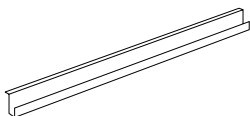
Available in Black Only.

Wire Managers

Mounts to any Communication Station worktable. Holds cabling neatly on the inside of the modesty panel.

Not to be used with Electrification System. Wire managers are available in black only.

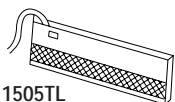
- Attaches to any 30"W worktable



Model No.	Dimensions	Wt.	List Price
3030WM	Attaches to any 30"W worktable – 4"H x 3/4"D x 14 3/4"L	3 #	\$22
3036WM	Attaches to any 36" or 42" worktable – 4"H x 3/4"D x 20 3/4"L	4 #	\$22
3048WM	Attaches to any 48"W worktable – 4"H x 3/4"D x 32 3/4"L	4 #	\$29
3060WM	Attaches to any 60"W worktable – 4"H x 3/4"D x 44 3/4"L	5 #	\$34
3072WM	Attaches to any 72"W worktable – 4"H x 3/4"D x 54 3/4"L	5 #	\$39

Under Shelf Lighting

- Attaches under Communication Station overhead storage units only
- Installs in minutes, no tools needed



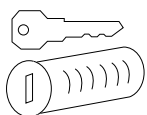
1505TL

Model No.	Dimensions	Wt.	List Price
1505TL	20"W x 8"D x 2"H	8 #	\$167

Available in Black Only.

Keyed Alike Lock Tumblers

For installations which require keyed alike work areas, this tumbler is installed in the field with a special tumbler change tool key supplied with each order. You must order one tumbler for each storage unit ordered (two required for overhead units 48" or larger). Tumblers will be packaged with the appropriate number of "alike" combinations per package. Each package will be labeled with the lock number. Contact Customer Service at 1-800-822-8037 for a faxed worksheet to help you determine the number of tumblers and key changes required.



2407DT

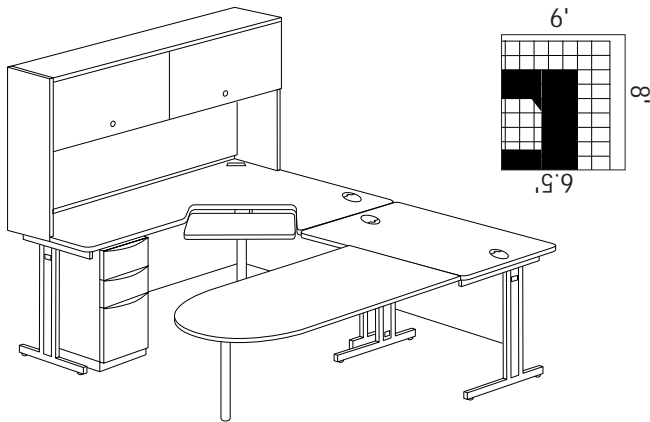
Model No.	Dimensions	Wt.	List Price
2407DT	n/a	1 #	\$11

Available in Black Only.

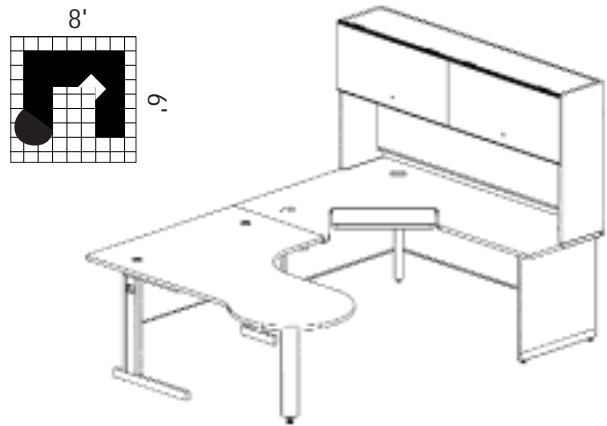
COMMUNICATION STATION® TYPICALS

Mayline Customer Service: 1-800-822-8037

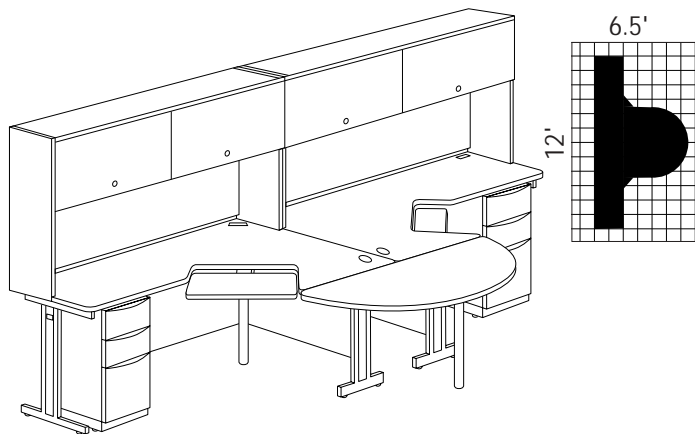
- Most commonly ordered workstations
- Arranged so that specific components can be added or deleted from your order
- Illustrated footprint helps you determine the space required



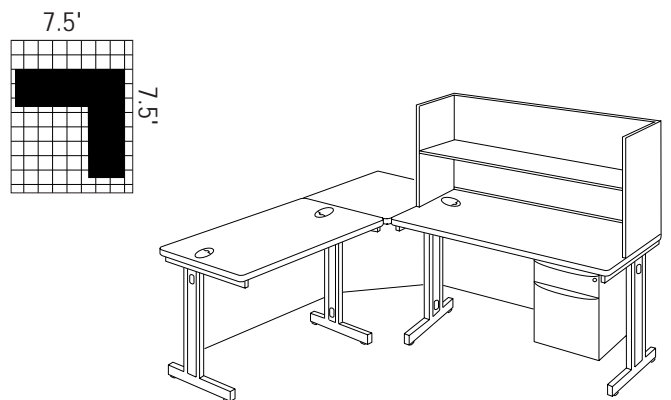
QTY.	DESCRIPTION	MODEL NO.	LIST PRICE
Basic Workstation			
1	30" x 48" x 29 1/2" Worktable	304829	\$446
1	24" x 72" x 48" x 29 1/2" J Table (right hand return)	2472FR	\$766
1	30" x 48" x 29 1/2" Peninsula Table	3048PR	\$402
1	72" Flipper Door Overhead, Group 1 Fabric	7200SW	\$820
1	Full Profile 3 Drawer Pedestal	3403DS	\$509
Total List Price			<u>\$2,943</u>



QTY.	DESCRIPTION	MODEL NO.	LIST PRICE
Basic Workstation			
1	30" x 72" x 48" x 29 1/2" Conference P Table	2472RB	\$652
1	30" x 72" x 48" x 29 1/2" J Table (left hand return)	2472FL	\$766
1	72" Flipper Door Overhead, Group 1 Fabric	7200SW	\$820
1	30"D X 29 1/2"H End Panel Cover	3000EP	\$129
Total List Price			<u>\$2,367</u>



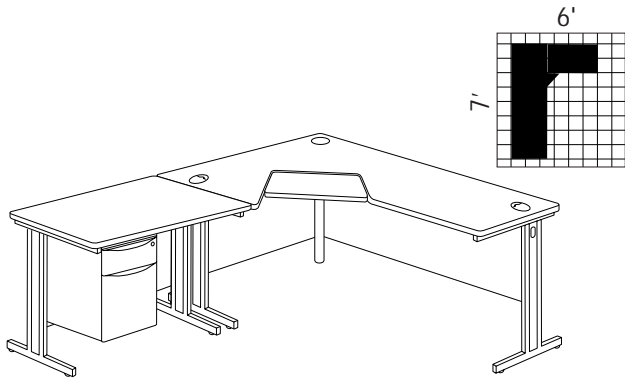
QTY.	DESCRIPTION	MODEL NO.	LIST PRICE
Basic Workstation			
1	24" x 72" x 48" x 29 1/2" J Table (right hand return)	2472FR	\$766
1	24" x 72" x 48" x 29 1/2" J Table (left hand return)	2472FL	\$766
1	30" x 61" x 29 1/2" Conference End	3061CE	\$348
2	72" Flipper Door Overheads, Group 1 Fabric (\$820 each)	7200SW	\$1640
2	Full Profile, 3 Drawer Pedestals (\$509 each)	3403DS	\$1018
Total List Price			<u>\$4,538</u>



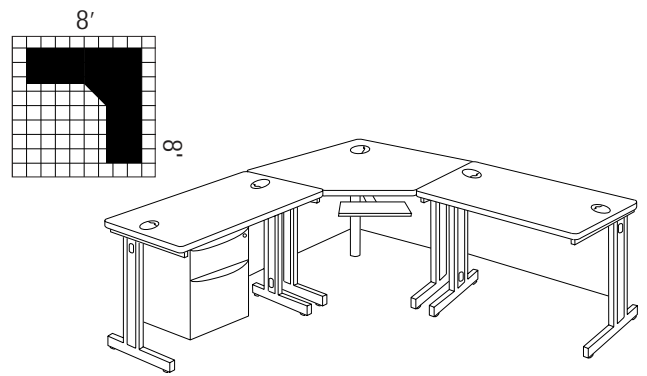
QTY.	DESCRIPTION	MODEL NO.	LIST PRICE
Basic Workstation			
2	30" x 60" x 29 1/2" Worktables (\$496 each)	306029	\$992
1	Square Corner Connector	0403UC	\$324
1	60" Open Shelf Overhead	3060SU	\$456
1	3/4 Profile, 2 Drawer Pedestal	3229DS	\$398
Total List Price			<u>\$2,170</u>

COMMUNICATION STATION® TYPICALS

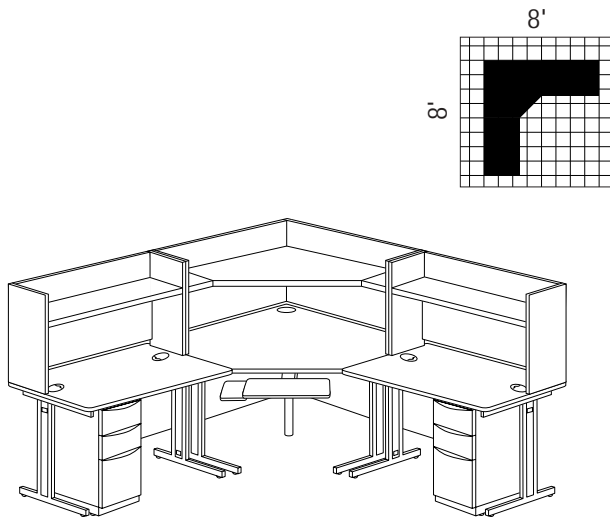
Mayline Customer Service: 1-800-822-8037



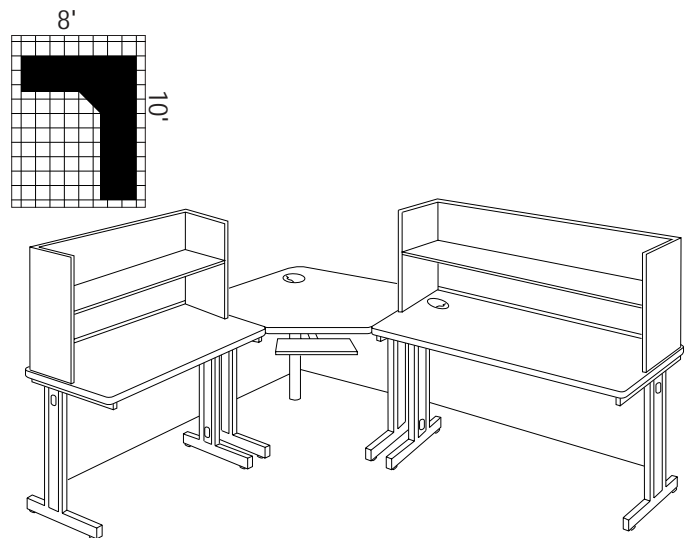
QTY.	DESCRIPTION	MODEL NO.	LIST PRICE
Basic Workstation			
1	30" x 36" x 29 1/2" Worktable	303629	\$374
1	24" x 72" x 48" x 29 1/2" J Table (left hand return)	2472FL	\$766
1	3/4 Profile, 2 Drawer Pedestal	3229DS	\$398
Total List Price			<u>\$1,538</u>



QTY.	DESCRIPTION	MODEL NO.	LIST PRICE
Basic Workstation			
2	30" x 48" x 29 1/2" Worktables (\$437 each)	304829	\$892
1	30" x 48" Corner Worktable	302129	\$630
1	3/4 Profile, 2 Drawer Pedestal	3229DS	\$398
Accessories			
1	Articulating Keyboard Arm	1502AK	\$296
Total List Price			<u>\$2,216</u>



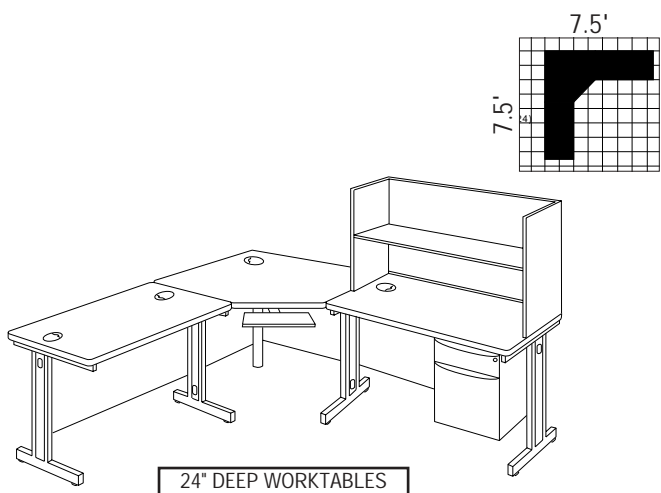
QTY.	DESCRIPTION	MODEL NO.	LIST PRICE
Basic Workstation			
2	30" x 48" x 29 1/2" Worktables (\$437 each)	304829	\$892
1	30" x 48" x 29 1/2" Corner Worktable	302129	\$630
2	48" Mini Shelf Overheads, Group 1 Fabric (\$357 each)	3048MO	\$714
1	48" Mini Shelf Corner Unit, Group 1 Fabric	4848MO	\$640
2	Full Profile 3 Drawer Pedestals (\$509 each)	3403DS	\$1018
Accessories			
1	Articulating Keyboard Tray	1502AK	\$296
1	Mouse Tray	1511AK	\$72
Total List Price			<u>\$4,262</u>



QTY.	DESCRIPTION	MODEL NO.	LIST PRICE
Basic Workstation			
1	30" x 48" x 29 1/2" Worktable	304829	\$446
1	30" x 48" x 29 1/2" Corner Worktable	302129	\$630
1	30" x 72" x 29 1/2" Worktable	307229	\$565
1	48" Open Shelf Overhead, Group 1 Fabric	3048SU	\$435
1	72" Open Shelf Overhead, Group 1 Fabric	3072SU	\$495
Accessories			
1	Articulating Keyboard Tray	1502AK	\$296
Total List Price			<u>\$2,867</u>

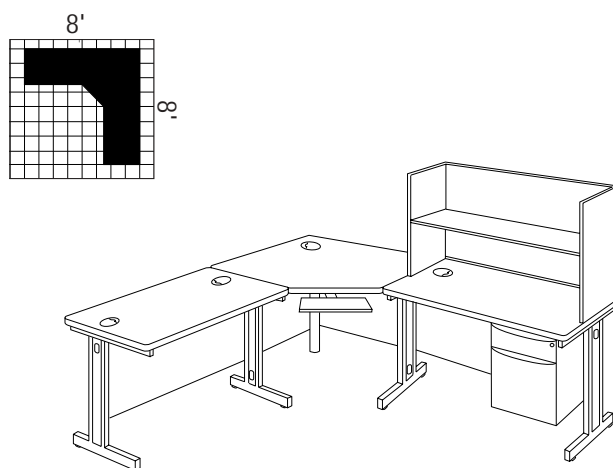
COMMUNICATION STATION® TYPICALS

Mayline Customer Service: 1-800-822-8037

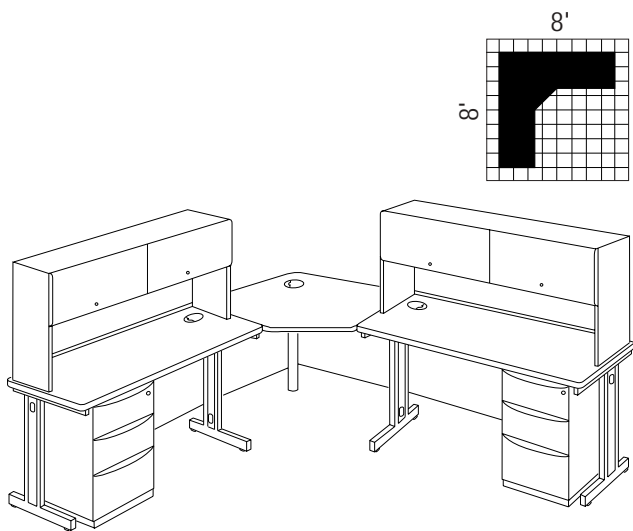


24" DEEP WORKTABLES

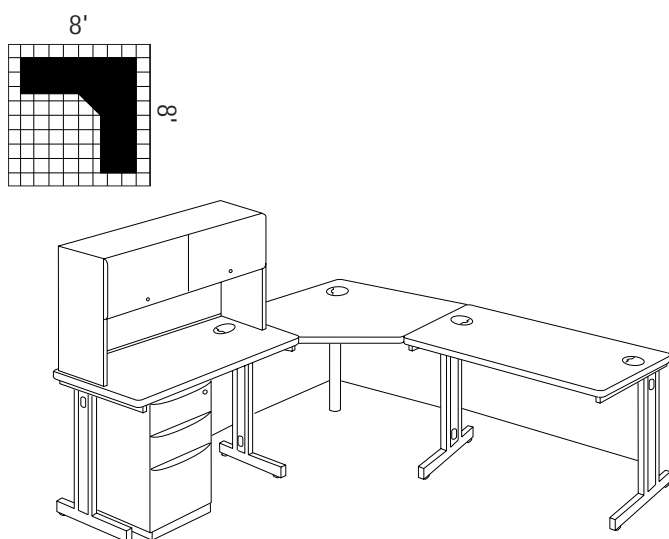
QTY.	DESCRIPTION	MODEL NO.	LIST PRICE
Basic Workstation			
2	24" x 48" x 29 1/2" Worktables (\$407 each)	244829	\$814
1	24" x 42" Corner Unit without Legs	2442CC	\$617
1	48" Open Shelf Overhead, Group 1 Fabric	3048SU	\$435
1	3/4 Profile, 2 Drawer Pedestal	3229DS	\$398
Accessories			
1	Articulating Keyboard Arm	1502AK	<u>\$296</u>
Total List Price			<u>\$2,560</u>



QTY.	DESCRIPTION	MODEL NO.	LIST PRICE
Basic Workstation			
2	30" x 48" x 29 1/2" Worktables (\$446 each)	304829	\$892
1	30" x 48" Corner Unit without Legs	3048CC	\$629
1	48" Open Shelf Overhead, Group 1 Fabric	3048SU	\$435
1	3/4 Profile, 2 Drawer Pedestal	3229DS	\$398
Accessories			
1	Articulating Keyboard Arm	1502AK	<u>\$296</u>
Total List Price			<u>\$2,650</u>



QTY.	DESCRIPTION	MODEL NO.	LIST PRICE
Basic Workstation			
2	30" x 48" x 29 1/2" Worktables (\$446 each)	304829	\$892
1	30" x 48" Corner Unit Without Legs	3048CC	\$629
2	48" Flipper Door Overheads, Group 1 Fabric (\$684 each)	4800SW	\$1368
2	Full Profile, 3 Drawer Pedestals (\$499 each)	3403DS	<u>\$1018</u>
Total List Price			<u>\$ 3,907</u>



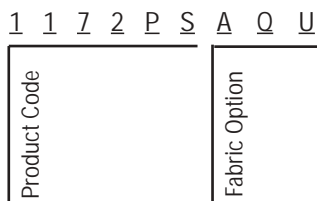
QTY.	DESCRIPTION	MODEL NO.	LIST PRICE
Basic Workstation			
2	30" x 48" x 29 1/2" Worktables (\$446 each)	304829	\$892
1	30" x 48" Corner Unit Without Legs	3048CC	\$629
1	48" Flipper Door Overheads, Group 1 Fabric	4800SW	\$684
1	Full Profile, 3 Drawer Pedestals	3403DS	<u>\$509</u>
Total List Price			<u>\$ 2,714</u>

HOW TO ORDER COMMUNICATION STATION® WORKSTATIONS

Mayline Customer Service: 1-800-822-8037

TACK PANEL/PARTITION SCREEN OPTIONS

When ordering tack panels and partition screens, use the code at right to indicate your fabric option:



Group 1 Fabric

<u>Fabric Color</u>	<u>Order Code</u>
Shetland Series	
Charcoal	BLK
Wheat	WET
Gray	GRY
Tan	TAN
Blue Neutral	BLN
Lido Series	
Acadia	ACA
Scarborough	SCR
Balboa	BAL
Smith Point	SMP
Sand Hill	SAN

Group 2 Fabric (NON-CANCELABLE & NON-RETURNABLE)

<u>Fabric Color</u>	<u>Order Code</u>
Serendipity Series	
Four Leaf Clover	FLC
Silver Spoon	SSP
Jack Pot	JCP
Lady Luck	LAD
Lucky Duck	LUC

Group 3 Fabric (NON-CANCELABLE & NON-RETURNABLE)

<u>Fabric Color</u>	<u>Order Code</u>
Intaglio Series	
Linocut	LIN
Woodtint	WDT
Gem Stone	GEM
Aquatint	AQU
Steel	STE

Note: Private Office Tack Panels with wood grain laminates have a standard default of wheat fabric color unless otherwise specified. Nebula Gray and Nebula Graphite have a standard default of gray fabric color.

Freight Program Applies: **1**

HOW TO CONFIGURE AND SPECIFY GENERATION II WORKSTATIONS

To make sure you choose the product which best fits your needs, use the following steps as a guide when configuring Generation II workstations:

- *determine space requirements*
- *examine the tasks to be performed*
- *look at storage space needs*
- *determine if division or privacy is necessary*
- *analyze which accessories would best enhance productivity and comfort*

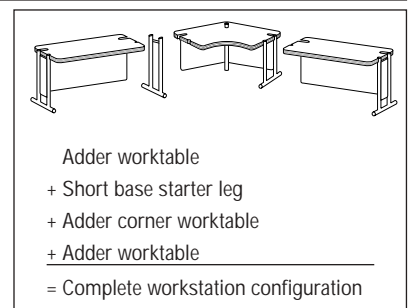
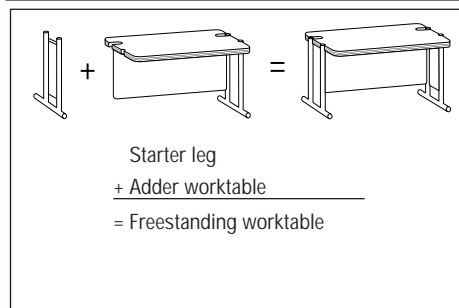
After reviewing the following steps, select the appropriate products within each category.

Step 1

Worktables

Generation II worktables link together, so that only one leg is needed at each worktable connection. This eliminates leg clutter between worktable connections. Worktables are offered as "adder" units, which are supplied with one leg. Therefore, a starter leg is also required to make a freestanding worktable or to complete a workstation configuration. Examples of both freestanding and multiple worktable connections are shown at right. Note: Leg uprights protrude one inch beyond worksurface.

EXAMPLES:



Step 2

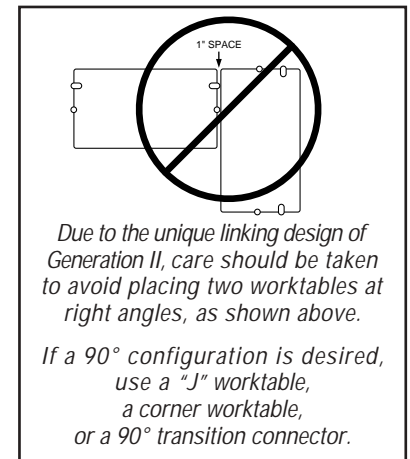
Overheads & Transaction Counters

Overhead Storage Units, available in open shelf and flipper door styles, add valuable storage space for binders, books, etc. Transaction Counters may be used for additional storage space and can also be used to create reception stations when worktables are configured with task height partition screens.

Step 3

Partition Screens

Partition Screens are available in two heights. Task height creates division, while allowing visual contact with other workstations. Privacy height prevents visual distraction from surrounding work areas. Partition Screens attach to the under side of the worksurface.



Step 4

Wire Managers

Wire Managers can be connected together to create continuous wire management around the entire Generation II workstation. The wire manager trough is designed to hold surge suppressors and gang power strips, along with power and communication cabling.

Step 5

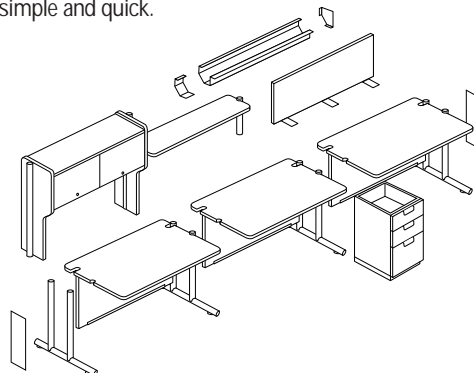
Drawer Pedestals

A variety of Drawer Pedestal choices are available for Generation II workstations. Locks are standard on all pedestals and feature an optional removable tumbler so re-keying is simple and quick.

Step 6

Accessories

Generation II accessories include Articulating Keyboard Arms, Mouse Trays, Keyboard Tray, Wrist Rest, Telephone Stand, Letter Trays, CPU Rack and more.



GENERATION II

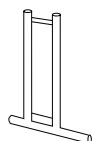
Mayline Customer Service: 1-800-822-8037

- Table base legs are 16 gauge steel with worksurfaces of 1" furniture grade particle board core and high pressure laminate finish.
- Lateral File and Drawer Pedestals are 20 gauge steel with laminate drawer fronts.
- Overhead unit is 20 gauge steel with laminate uprights and door fronts.

Standard Finishes: Black, Putty, Dove Gray.

STARTER LEG ASSEMBLIES

Leg assemblies may be used to convert adder tables to freestanding worktables. You may also configure complete workstations using adder tables and one leg assembly. Two leg covers included with each starter leg.

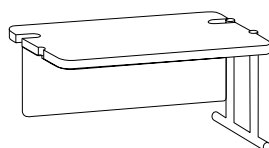


Model No.	Dimensions	Wt.	List Price
1524ST	24" Leg – 24"W x 28 1/2"H	21 #	\$189
1530ST	30" Leg – 30"W x 28 1/2"H	22 #	\$201
1500LB	Short Base Leg – 17"W x 28 1/2"H	20 #	\$173
1510LB	Short Base Tube – 2"dia. x 17"L	4 #	\$50

ADDER WORKTABLES

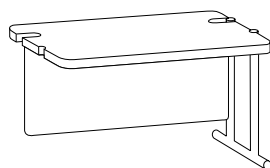
Adder worktables are designed to link together to provide uncluttered leg room. One starter leg is required for either a freestanding worktable or a continuous configuration. Generation II's linking top design eliminates the double sets of legs at each worktable joint, providing greater economy, improved leg room and a crisp design.

24" deep adder worktables



Model No.	Dimensions	Wt.	List Price
2424AD	24"W x 24"D x 28 3/4"H	44 #	\$379
2430AD	30"W x 24"D x 28 3/4"H	53 #	\$401
2436AD	36"W x 24"D x 28 3/4"H	62 #	\$443
2442AD	42"W x 24"D x 28 3/4"H	70 #	\$464
2448AD	48"W x 24"D x 28 3/4"H	79 #	\$520
2460AD	60"W x 24"D x 28 3/4"H	97 #	\$565
2472AD	72"W x 24"D x 28 3/4"H	115 #	\$621

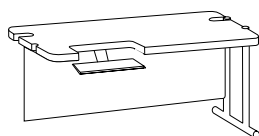
30" deep adder worktables



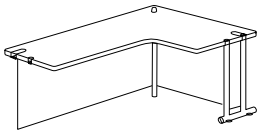
Model No.	Dimensions	Wt.	List Price
3030AD	30"W x 30"D x 28 3/4"H	61 #	\$443
3036AD	36"W x 30"D x 28 3/4"H	70 #	\$464
3042AD	42"W x 30"D x 28 3/4"H	78 #	\$503
3048AD	48"W x 30"D x 28 3/4"H	87 #	\$544
3060AD	60"W x 30"D x 28 3/4"H	105 #	\$616
3072AD	72"W x 30"D x 28 3/4"H	123 #	\$670

BI-LEVEL ADDER WORKTABLES

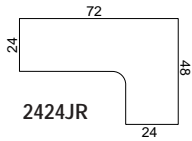
- Designed for heavy keyboard use, wrist rest included
- Keyboard platform tilts from +15° to -15°, has height adjustable range of 5"
- Keyboard platform available on left (AL- shown) or right side (AR)



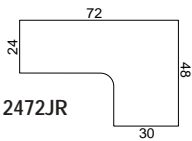
Model No.	Dimensions	Wt.	List Price
3060AL	60"W x 30"D x 28 3/4"H	131 #	\$710
3060AR	60"W x 30"D x 28 3/4"H	131 #	\$710



Right-hand Version shown



2424JR



2472JR

- Combines adder worktable and adder corner worktables into one unit, allowing for a compact work area
- Can be used in left/right configurations to create multi-person work areas
- Shipped with one short base leg to insure clear leg room, opposite side will accept any leg option
- Right (JR) and left (JL) hand versions (right-hand version shown)
- Attachment of overheads requires adapter kit (1300BA), see page 66
- Detailed dimensions shown at left

With 24" deep return edge, for use adjacent to 24" deep worktables.

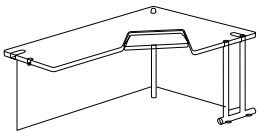
Model No.	Dimensions	Wt.	List Price
2424JL	72"W x 48"D x 28 3/4"H	140 #	\$895
2424JR	72"W x 48"D x 28 3/4"H	140 #	\$895

With 30" deep return edge, for use adjacent to 30" deep worktables.

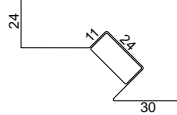
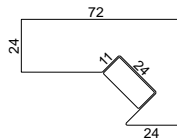
Model No.	Dimensions	Wt.	List Price
2472JL	72"W x 48"D x 28 3/4"H	148 #	\$895
2472JR	72"W x 48"D x 28 3/4"H	148 #	\$895

Use 1066WM and 1042WM as wire management options (See page 68)

"J" UNIT BI-LEVEL ADDER WORKTABLES



Right-hand Version shown



- Same features as "J" Unit Adder Worktable above
- Keyboard platform (24"W x 10"D) tilts from +15° to -15°, has height adjustable range of 5"
- Shipped with one short base leg to insure clear leg room, opposite side will accept any leg option
- Right (BR) and left (BL) hand versions (right-hand version shown)
- Attachment of overheads requires adapter kit (1300BA), see page 66
- Detailed dimensions shown at left

With 24" deep return edge, for use adjacent to 24" deep worktables.

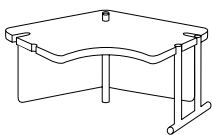
Model No.	Dimensions	Wt.	List Price
2424BL	72"W x 48"D x 28 3/4"H	144 #	\$1006
2424BR	72"W x 48"D x 28 3/4"H	144 #	\$1006

With 30" deep return edge, for use adjacent to 30" deep worktables.

Model No.	Dimensions	Wt.	List Price
2472BL	72"W x 48"D x 28 3/4"H	152 #	\$1006
2472BR	72"W x 48"D x 28 3/4"H	152 #	\$1006

Use 1066WM and 1042WM as wire management options (See page 68)

ADDER CORNER WORKTABLES



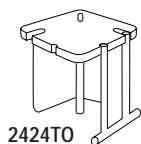
Adder corner worktables can be used as freestanding worktables when specified with a starter leg or as part of a larger configuration. Shipped with one short base leg to insure clear leg room. On 36" w corner worktable, use the 1502AK or the 1514AK Articulating Keyboard Arms. The 3000KB retractable keyboard tray **cannot** be used with these units.

Model No.	Dimensions	Wt.	List Price
2436AC	36"W x 24"D x 28 3/4"H	84 #	\$650
2442AC	42"W x 24"D x 28 3/4"H	89 #	\$694
3048AC	48"W x 30"D x 28 3/4"H	109 #	\$732

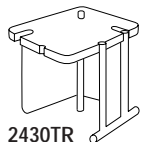
90° TRANSITION CONNECTORS

Mayline Customer Service: 1-800-822-8037

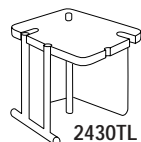
90° Transition connectors link to the end of any Generation II worktable creating a 90° turn. Shipped with one short base leg to insure clear leg room.



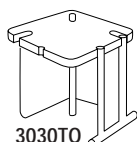
2424TO



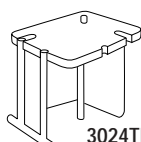
2430TR



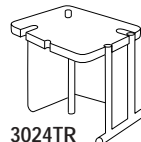
2430TL



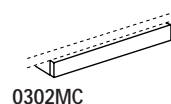
3030TO



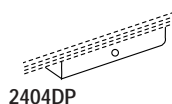
3024TL



3024TR



0302MC



2404DP

Model No.	Dimensions	Wt.	List Price
2424TO	Connects 24" to 24" depths – 24"W x 24"D x 28 3/4"H	80 #	\$503
2430TR	Connects 24" to 30" depths – 30"W x 24"D x 28 3/4"H	85 #	\$520
2430TL	Connects 24" to 30" depths – 30"W x 24"D x 28 3/4"H	85 #	\$520
3030TO	Connects 30" to 30" depths – 30"W x 30"D x 28 3/4"H	90 #	\$531
3024TL	Connects 30" to 24" depths – 24"W x 30"D x 28 3/4"H	85 #	\$520
3024TR	Connects 30" to 24" depths – 24"W x 30"D x 28 3/4"H	85 #	\$520
0302MC	Non-locking – 21 1/2"W x 16 1/2"D x 2 1/2"H	12 #	\$154
2404DP	Lock standard – 20"W x 17"D x 2 5/8"H	12 #	\$157

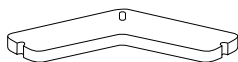
TRANSACTION COUNTERS

Transaction counters can be used to create reception stations when worktables are configured with task height partition screens. When fully assembled, the transaction counter is 42" above the floor. *Transaction counter support tubes are ordered separately. Recommend using under counter support tubes when transaction counter is utilized for storage.*



Model No.	Dimensions	Wt.	List Price
1424TC	24"W x 12"D	10 #	\$119
1430TC	30"W x 12"D	11 #	\$132
1436TC	36"W x 12"D	12 #	\$156
1442TC	42"W x 12"D	14 #	\$173
1448TC	48"W x 12"D	16 #	\$179
1460TC	60"W x 12"D	18 #	\$187
1472TC	72"W x 12"D	20 #	\$211

90° TRANSACTION COUNTERS (For use above transition connectors and corner units.)



Model No.	Dimensions	Wt.	List Price
1424TS	Use the 2424TO 90° Transition Connector – 24"W x 12"D x 24"L	12 #	\$179
1430TS	Use the 3030TO 90° Transition Connector – 30"W x 12"D x 30"L	15 #	\$211
1436TS	Use the 2436AC Adder Corner Worktable – 36"W x 12"D x 36"L	18 #	\$263
1442TS	Use above the 2442AC Adder Corner Worktable – 42"W x 12"D x 42"L	20 #	\$329
1448TS	Use the 3048AC Adder Corner Worktable – 48"W x 12"D x 48"L	24 #	\$347
1424TL	Use the 2430TL and 3024TR 90° Transition Connector – 24"W x 12"D x 30"L	14 #	\$202
1424TR	Use the 2430TR and 3024TL 90° Transition Connectors – 24"W x 12"D x 30"L	14 #	\$202

TRANSACTION COUNTER SUPPORT TUBE

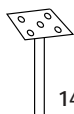


1401TC

- Attaches to the ends of the transaction counter
- Straight counters require two support tubes
- "L" shaped counters require three support tubes

Model No.	Dimensions	Wt.	List Price
1401TC	2" dia. x 12"L	2 #	\$45

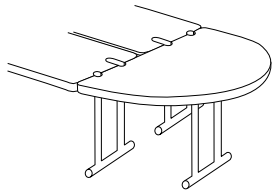
UNDER COUNTER SUPPORT TUBE



1402TC

- Additional under counter support tube eliminates potential sagging of counters
- Recommended for 48, 60 and 72" transaction counters

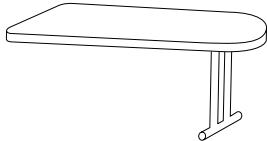
Model No.	Dimensions	Wt.	List Price
1402TC	2" dia. x 11 1/4"L	2 #	\$50



Half-round, conferencing end connects two Generation II worktables that are placed back to back. Leg spacing in top creates a 2" gap between worktables for partition screens and cables.

Model No.	Dimensions	Wt.	List Price
2450CE	Connects two 24" tables – 24"W x 50"D x 28 3/4"H	65 #	\$443
3062CE	Connects two 30" tables – 30"W x 62"D x 28 3/4"H	72 #	\$493

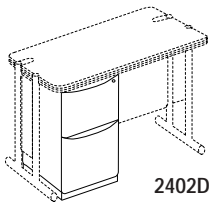
PENINSULA TABLES



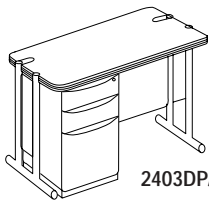
- Peninsula tables connect any 30" or wider worktable, creating additional work areas.
- Must be attached to front edge of worktables

Model No.	Dimensions	Wt.	List Price
3048PI	48"W x 30"D x 28 3/4"H	78 #	\$469
3060PI	60"W x 30"D x 28 3/4"H	88 #	\$503
3072PI	72"W x 30"D x 28 3/4"H	100 #	\$554

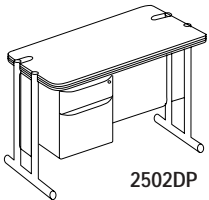
DRAWER PEDESTALS



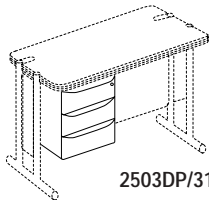
2402DP/3002DP



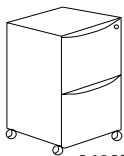
2403DP/3003DP



2502DP



2503DP/3103DP



3402MP



3403MP

Drawer pedestals attach to worktables in seconds. All ball bearing suspensions provide smooth, durable operation. Locks are standard and feature optional removable tumbler so re-keying is simple and quick. Post-formed laminate drawer fronts have rounded safety edges. All pedestals have open tops and must be secured under worktable.

Model No.	Dimensions	Wt.	List Price
Pedestals for use with 24" deep worktables			
2402DP	Two file drawers – 14 1/2"W x 17 1/2"D x 27 1/4"H	65 #	\$469
2403DP	Two box drawers and one file drawer – 14 1/2"W x 17 1/2"D x 27 1/4"H	65 #	\$509
2502DP	One box drawer and one file drawer – 14 1/2"W x 17 1/2"D x 18 3/4"H	50 #	\$398
2503DP	Three box drawers – 14 1/2"W x 17 1/2"D x 18 3/4"H	52 #	\$427

Model No.	Dimensions	Wt.	List Price
Pedestals for use with 30" deep worktables			
3002DP	Two file drawers – 14 1/2"W x 23 1/2"D x 27 1/4"H	65 #	\$489
3003DP	Two box drawers and one file drawer – 14 1/2"W x 23 1/2"D x 27 1/4"H	69 #	\$542
3103DP	Three box drawers – 14 1/2"W x 23 1/2"D x 18 3/4"H	44 #	\$447

Mobile Drawer Pedestals

- Mobile drawer unit for 24" or 30" deep work tables
- Two file-drawer configurations with gang lock
- Set of four casters (2 locking)
- Includes counterbalance

3402MP	14 1/2"W x 17 1/2"D x 27 3/4"H	88 #	\$509
3403MP	14 1/2"W x 17 1/2"D x 27 3/4"H	92 #	\$580

Hanging File Bars

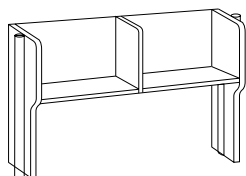
0440BAR	Allows for perpendicular filing of folders (set of 2) – 1/8" x 3/8" x 12 1/2" 2 #	\$10
---------	---	------

Overhead storage units are offered in open shelf and flipper door styles which adds valuable storage space for binders, books, etc.

Note: Overheads connected to a corner unit or "J" worktable must be 6" shorter than the corner unit in order for the upright tube of the overhead to align with the rear leg of the corner unit. If overheads are to be the same length as the corner unit, the 1300BA adapter kit must be specified.

Open Shelf Overheads

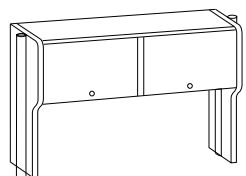
- Shelf bottom is 21 1/4" above desk level
- Fixed divider only on 48" and wider units
- Vertical wire managers and covers included



Model No.	Dimensions	Wt.	List Price
1336BB	36"W x 15"D x 38"H	84 #	\$430
1342BB	42"W x 15"D x 38"H	88 #	\$436
1348BB	48"W x 15"D x 38"H	91 #	\$481
1360BB	60"W x 15"D x 38"H	94 #	\$531
1372BB	72"W x 15"D x 38"H	100 #	\$558

Flipper Door Overheads

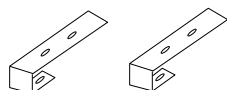
- 20 1/2" clearance from worksurface to bottom of door
- Fixed divider only on 48" and wider units
- Bottom edges rounded for safety
- Doors operate on Accuride flipper door mechanisms
- Locks are standard and keyed alike
- Vertical wire managers and covers included



Model No.	Dimensions	Wt.	List Price
1336BD	36"W x 15"D x 38"H	86 #	\$604
1342BD	42"W x 15"D x 38"H	94 #	\$710
1348BD	48"W x 15"D x 38"H	109 #	\$833
1360BD	60"W x 15"D x 38"H	124 #	\$941
1372BD	72"W x 15"D x 38"H	139 #	\$1013

Overhead Mounting Adapter Kit

- Allows overhead units to be attached to worktables in non-standard location (Example: A 60"W overhead attached to a 72" worktable.)
- Must be used to connect overhead unit to "J" worktables



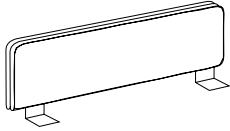
1300BA

Model No.	Dimensions	Wt.	List Price
1300BA	3/4" x 4"	2 #	\$29

Partition screens are provided in two heights:

- Task height (14 3/8") creates division, while allowing visual contact with other workstations.
- Privacy height (22 3/8") prevents visual distraction from surrounding work areas.
- For Group 2 fabrics, add a "2" to the end of Model No. For Group 3, add a "3."

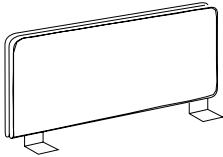
Task height screens (14 3/8" high) — 13" above worksurface



Model No.	Dimensions	Wt.	Group 1*	Group 2*	Group 3*
1224PS	24"W x 14 3/8"H x 1 1/8"Thick	13 #	\$185	\$236	\$257
1230PS	30"W x 14 3/8"H x 1 1/8"Thick	16 #	\$207	\$274	\$296
1236PS	36"W x 14 3/8"H x 1 1/8"Thick	18 #	\$241	\$291	\$313
1242PS	42"W x 14 3/8"H x 1 1/8"Thick	21 #	\$263	\$329	\$363
1248PS	48"W x 14 3/8"H x 1 1/8"Thick	23 #	\$286	\$352	\$386
1260PS	60"W x 14 3/8"H x 1 1/8"Thick	30 #	\$308	\$392	\$430
1272PS	72"W x 14 3/8"H x 1 1/8"Thick	35 #	\$330	\$456	\$503

PLEASE REFER TO PAGE 74 FOR AVAILABLE FABRIC COLOR CHOICES

Privacy height screens (22 3/8" high) — 21" above worksurface



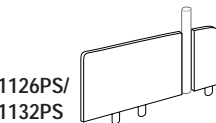
Model No.	Dimensions	Wt.	Group 1*	Group 2*	Group 3*
1124PS	24"W x 22 3/8"H x 1 1/8"Thick	19 #	\$207	\$241	\$263
1130PS	30"W x 22 3/8"H x 1 1/8"Thick	23 #	\$218	\$279	\$308
1136PS	36"W x 22 3/8"H x 1 1/8"Thick	27 #	\$246	\$319	\$347
1142PS	42"W x 22 3/8"H x 1 1/8"Thick	31 #	\$269	\$342	\$375
1148PS	48"W x 22 3/8"H x 1 1/8"Thick	35 #	\$291	\$358	\$397
1160PS	60"W x 22 3/8"H x 1 1/8"Thick	44 #	\$319	\$402	\$436
1172PS	72"W x 22 3/8"H x 1 1/8"Thick	53 #	\$341	\$468	\$513

PLEASE REFER TO PAGE 74 FOR AVAILABLE FABRIC COLOR CHOICES

END PARTITION SCREENS

End partition screens can be used at the end of any worktable. Panels can also be used to create a carrel when connected to two or more worktables in a straight run. Available in **privacy height** only.

- For Group 2 fabrics, add a "2" to the end of Model No. For Group 3, add a "3."



Model No.	Dimensions	Wt.	Group 1*	Group 2*	Group 3*
1125PS	For 24" worktable without storage – 22 3/4"W x 21"H	22 #	\$185	\$236	\$246
1126PS	For 24" worktable with storage – 20 3/4"W x 21"H	21 #	\$212	\$263	\$274
1131PS	For 30" worktable without storage – 28 3/4"W x 21"H	25 #	\$223	\$269	\$286
1132PS	For 30" worktable with storage – 26 3/4"W x 21"H	24 #	\$274	\$291	\$313

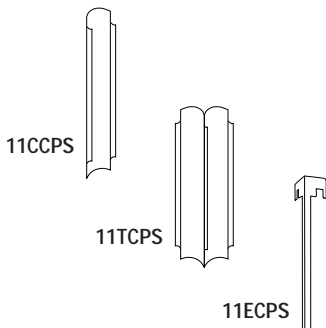
To Specify Optional Fabric Color:

1. List Model Number, 1148PS
2. Add Optional Fabric Color, 1148PSBAL

Example: 1148PSBAL specifies a 48" partition screen with Balboa/Lido fabric.

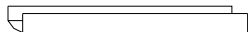
PLEASE REFER TO PAGE 74 FOR AVAILABLE FABRIC COLOR CHOICES

PANEL CONNECTORS



Model No.	Dimensions	Wt.	List Price
90° Corner Panel Connectors			
11CCPS	Connects two <u>privacy height screens</u> – 2"W x 21 1/4"H x .030"Thick	4 #	\$33
12CCPS	Connects two <u>task height screens</u> – 2"W x 13 1/4"H x .030"Thick	2 #	\$33
"T" Panel Connectors			
11TCPS	Connects three <u>privacy height screens</u> – 4"W x 21 1/4"H x .030"Thick	4 #	\$44
12TCPS	Connects three <u>task height screens</u> – 4"W x 13 1/4"H x .030"Thick	2 #	\$44
90° Corner Connector for End Partition Screens Only			
11ECPS	Connects end screen to <u>privacy height screen</u> – 21 3/4"H	25 #	\$29

Wire managers can be connected together to create continuous wire management around the entire Generation II workstation. The wire manager trough is designed to hold surge suppressors and gang power strips, along with power and communication cabling. Constructed of perforated steel.



Model No.	Dimensions	Wt.	List Price
1018WM	(2424TO, 2430TR, 2430TL, 3024TR, 3024TL) – 6"W x 6"D x 18"L	5 #	\$46
1024WM	(2424AD, 2430TR, 2430TL, 3030TO, 3024TL, 3024TR) – 6"W x 6"D x 24"L	6 #	\$55
1030WM	(2436AC) – 6"W x 6"D x 30"L	7 #	\$62
1036WM	(2442AC) – 6"W x 6"D x 36"L	8 #	\$66
1042WM	(3048AC) – 6"W x 6"D x 42"L	9 #	\$72
1048WM	Attaches to 48" wide tables – 6"W x 6"D x 48"L	10 #	\$84
1060WM	Attaches to 60" wide tables – 6"W x 6"D x 60"L	12 #	\$101
1066WM	Attaches to the 72" side of "J" worktables – 6"W x 6"D x 66"L	14 #	\$110
1072WM	Attaches to 72" wide tables – 6"W x 6"D x 72"L	14 #	\$112

WIRE MANAGER ACCESSORIES

Wire Manager Straight Connector

- Joins two straight wire managers together



Model No.	Dimensions	Wt.	List Price
1005WM	6"W x 6"D x 4"L	2 #	\$22

Wire Manager 90° Connector

- Joins two wire managers at a 90° angle



Model No.	Dimensions	Wt.	List Price
1006WM	6"W x 6"D x 8"L	4 #	\$34

Termination Cover

- Caps end of wire managers



Model No.	Dimensions	Wt.	List Price
1007WM	6"W x 6"D x 1"H	2 #	\$21

Leg Cover

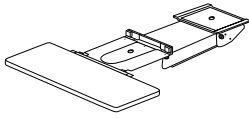
Please note that starter legs are provided with two leg covers. This option is not necessary unless two leg covers will be used on one leg to create a channel.



- Captures wires inside leg when used with leg covers supplied with starter leg

Model No.	Dimensions	Wt.	List Price
1008WM	7"W x 1"D x 21"H	6 #	\$44

Articulating Keyboard Arm Platform

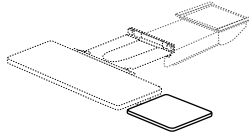


- Articulates in & out and rotates 360°
- Tilts +15° to -15°
- Height adjustment has 5" range
- Meets ADA requirements

Model No.	Dimensions	Wt.	List Price
1502AK	21 3/4"W x 10"D x 4"H	12 #	\$296

Articulation is limited on all corner and "J" Table work surfaces.

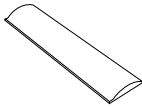
Mouse Tray



- Connects to left or right side of 1502AK Articulating Keyboard Arm
- Swivels and tilts independently from keyboard tray 8"

Model No.	Dimensions	Wt.	List Price
1511AK	8"W x 8"D x 1/2"H	9 #	\$72

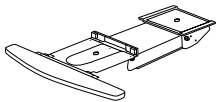
Wrist Rest



- Attaches to 1502AK Articulating Keyboard Arm

Model No.	Dimensions	Wt.	List Price
1513AK	20 1/2"W x 2"D x 3/4"H	2 #	\$39

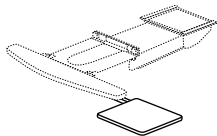
Articulating Keyboard Arm with Clamp



- Articulates in & out and rotates 360°
- Tilts +15° to -15°
- Height adjustment has 5" range
- Articulation will be limited on corner and J-Table work surfaces
- Keyboard is secured to arm with adjustable clamp
- Wrist rest is included
- Meets ADA requirements

Model No.	Dimensions	Wt.	List Price
1514AK	20 1/2"W x 2"D x 3/4"H	15 #	\$323

Clamp Version Mouse Tray



- Attaches to 1514AK Articulating Keyboard Arm
- Swivels and Tilts independently from clamp

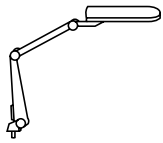
Model No.	Dimensions	Wt.	List Price
1515AK	8"W x 8"D x 1/2"H	9 #	\$101

Keyboard Tray



- Mounting brackets adjust to seven different heights and can be reversed for inboard or outboard mounting (outboard shown.)
- Features a cushioned wrist rest that is adjustable to five heights
- Accepts keyboard up to 3.6" high
- Recommended for 29"H worktables only
- Overall space required 21 1/4"W x 17"D
- Not to be used with 24 x 36" corner units
- Will not fit on 60" worksurface with drawer pedestals on each side

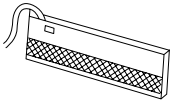
Model No.	Dimensions	Wt.	List Price
3000KB	21 1/4"W x 9 1/2"D	16 #	\$144



Worksurface Task Lighting

- Connects into any leg port
- Wire can be run through leg port into wire manager
- Utilizes high output PL18 fluorescent lamp, included, UL listed

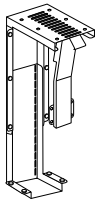
Model No.	Dimensions	Wt.	List Price
1504TL	43"W x 3"D x 2"H	4 #	\$296



Under Shelf Lighting

- Attaches under Generation II overhead units and transaction counters
- Wires are run through wire manager in overhead storage unit end panels

Model No.	Dimensions	Wt.	List Price
1505TL	20"W x 8"D x 2"H	8 #	\$167

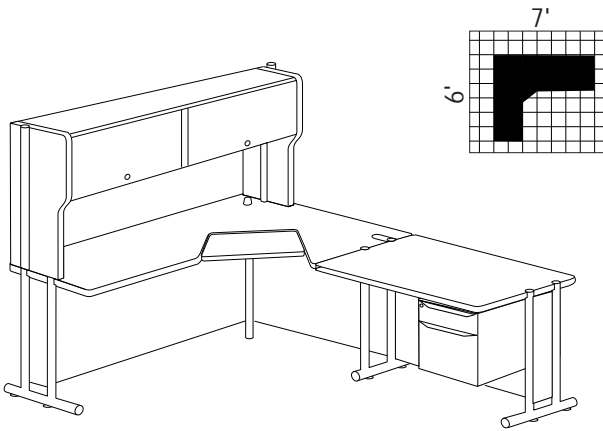


CPU Rack

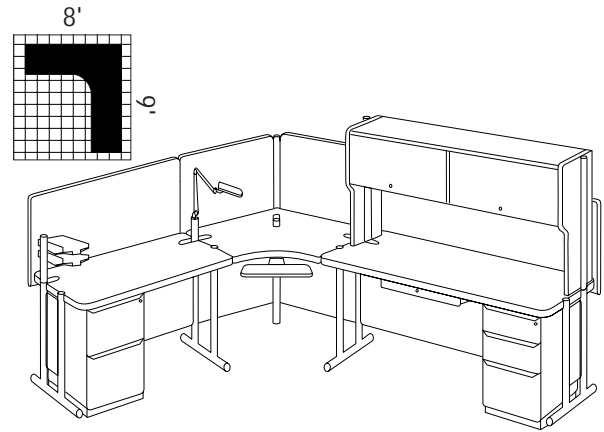
- Mounts vertically to underside of worksurface
- Height adjustable 15" - 24" - Width adjustable 3" - 9"
- Supports up to 85 lbs.
- 16 gauge steel construction
- Single hand operation

Model No.	Dimensions	Wt.	List Price
0600HR	13"W x adjustable height	14 #	\$156

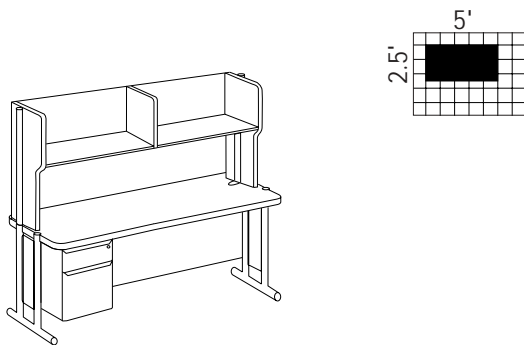
- Most commonly ordered workstations
- Arranged so that specific components can be added or deleted from your order
- Illustrated footprint helps you determine the space required



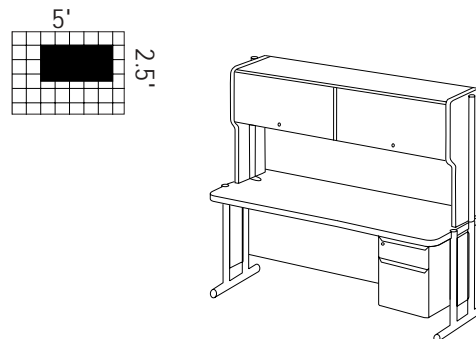
QTY.	DESCRIPTION	MODEL NO.	LIST PRICE
1	72" "J" Worktable with Keyboard	2472BR	\$1006
1	30" x 36" x 28 1/2" Adder Worktable	3036AD	\$464
1	Short Base Starter Leg	1500LB	\$173
1	72" Flipper Door Overhead Unit	1372BD	\$1013
1	Adapter Kit to attach Overhead Unit to 2472BR	1300BA	\$29
1	3/4 Profile 2 Drawer Pedestal	3102DP	\$417
Total List Price			<u>\$3,102</u>



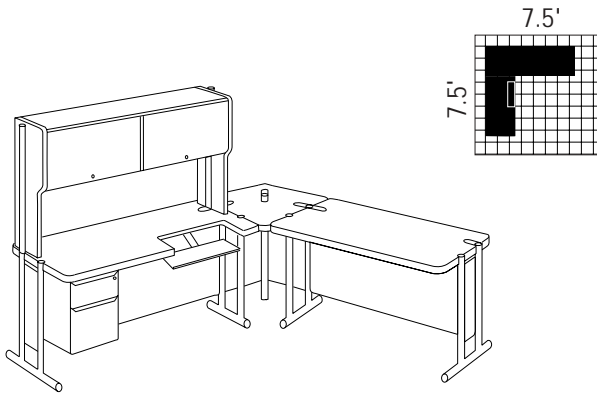
QTY.	DESCRIPTION	MODEL NO.	LIST PRICE
1	Short Base Leg Assembly	1500LB	\$173
1	30" x 60" Adder Worktable	3060AD	\$616
1	30" x 48" Adder Corner Worktable	3048AC	\$732
1	30" x 48" Adder Worktable	3048AD	\$544
1	Full Profile, 2-Drawer Pedestal	3002DP	\$489
1	Full Profile, 3-Drawer Pedestal	3003DP	\$542
1	Center Drawer	2404DP	\$157
1	60" Flipper Door Overhead Unit	1360BD	\$941
1	60" Privacy Height Partition Screen, 23" tall	1160PS	\$319
3	48" Privacy Height Partition Screens, 23" tall (\$291 each)	1148PS	\$873
1	90° Corner Panel Connector	11CCPS	\$33
1	Letter Trays (set of two)	1506LT	\$185
1	Worksurface Task Light	1504TL	\$296
1	Articulating Keyboard Arm	1502AK	\$296
Total List Price			<u>\$6,196</u>



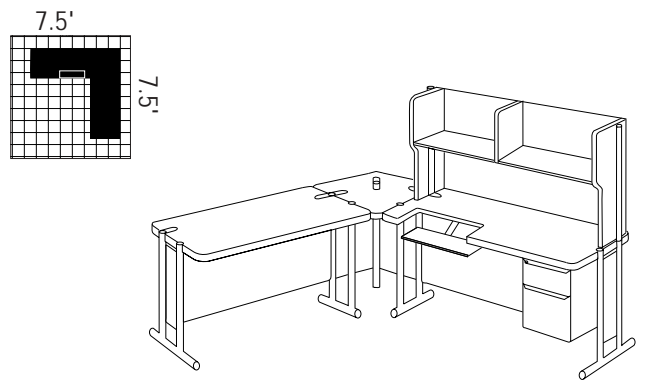
QTY.	DESCRIPTION	MODEL NO.	LIST PRICE
1	Starter Leg	1530ST	\$201
1	30" x 60" Worktable	3060AD	\$616
1	3/4 Profile, 2-Drawer Pedestal	3102DP	\$417
1	60" Open Shelf Overhead Unit	1360BB	\$531
Total List Price			<u>\$1,765</u>



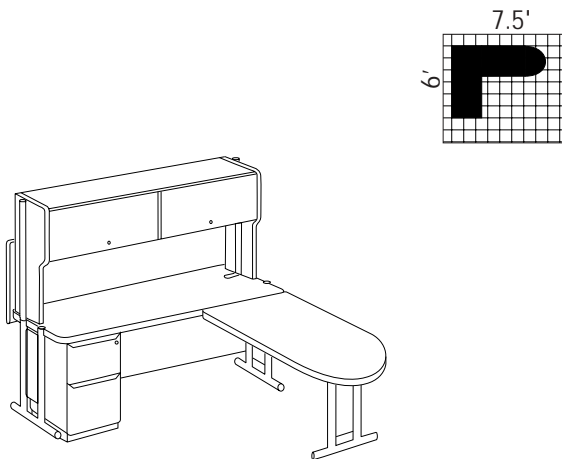
QTY.	DESCRIPTION	MODE LNO.	LIST PRICE
1	Starter Leg	1530ST	\$201
1	30" x 60" Worktable	3060AD	\$616
1	3/4 Profile, 2-Drawer Pedestal	3102DP	\$417
1	60" Flipper Door Overhead Unit	1360BD	\$941
Total List Price			<u>\$2,175</u>



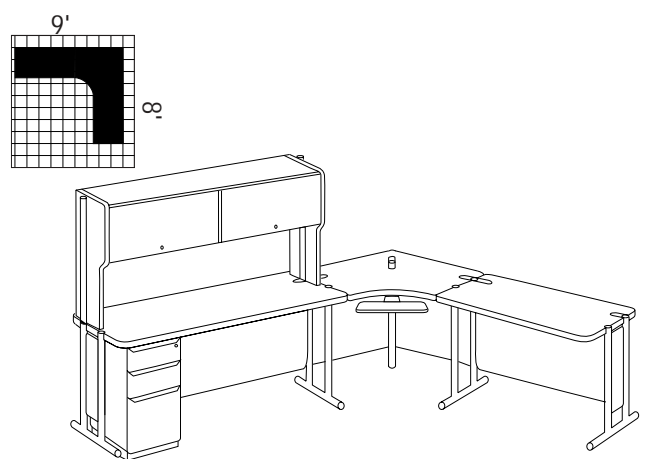
QTY.	DESCRIPTION	MODEL NO.	LIST PRICE
1	Short Base Leg Assembly	1500LB	\$173
1	30" x 60" Adder Worktable	3060AD	\$616
1	30" x 30" 90° Transition Connector	3030TO	\$531
1	30" x 60" Bi-Level Worktable, keyboard on right	3060AR	\$710
1	3/4 Profile, 2-Drawer Pedestal	3102DP	\$417
1	60" Flipper Door Overhead Unit	1360BD	\$941
Total List Price			\$3,388



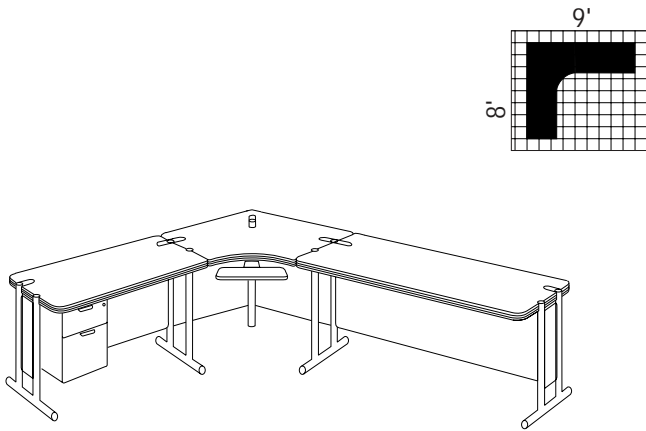
QTY.	DESCRIPTION	MODEL NO.	LIST PRICE
1	Short Base Leg Assembly	1500LB	\$173
1	30" x 60" Adder Worktable	3060AD	\$616
1	30" x 30" 90° Transition Connector	3030TO	\$531
1	30" x 60" Bi-Level Worktable, keyboard on left	3060AL	\$710
1	3/4 Profile, 2-Drawer Pedestal	3102DP	\$417
1	60" Open Shelf Overhead Unit	1360BB	\$531
Total List Price			\$2,978



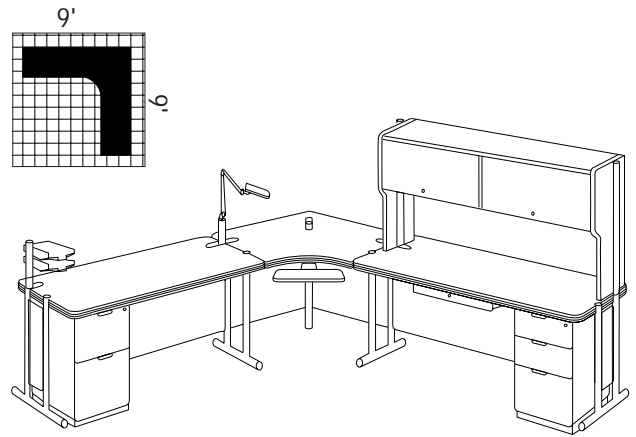
QTY.	DESCRIPTION	MODEL NO.	LIST PRICE
1	Starter Leg	1530ST	\$201
1	30" x 72" Worktable	3072AD	\$670
1	30" x 60" Peninsula Worktable	3060PI	\$503
1	Full Profile, 2-Drawer Pedestal	3002DP	\$489
1	72" Flipper Door Overhead Unit	1372BD	\$1013
1	72" Privacy Height Partition Screen, 23" tall	1172PS	\$341
Total List Price			\$3,217



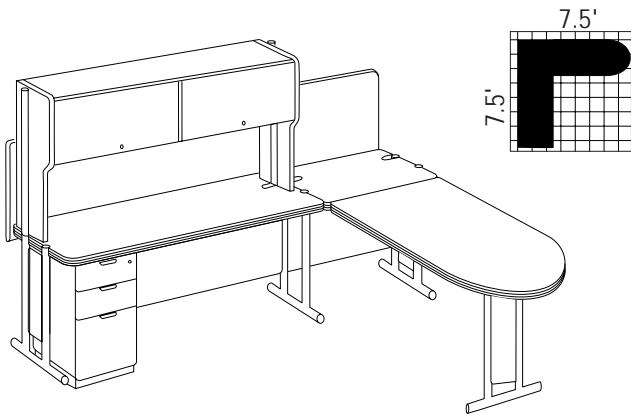
QTY.	DESCRIPTION	MODEL NO.	LIST PRICE
1	Short Base Leg Assembly	1500LB	\$173
1	30" x 60" Adder Worktable	3060AD	\$616
1	30" x 48" Adder Corner Worktable	3048AC	\$733
1	30" x 48" Adder Worktable	3048AD	\$544
1	Full Profile, 3-Drawer Pedestal	3003DP	\$542
1	60" Flipper Door Overhead Unit	1360BD	\$941
1	Articulating Keyboard Arm	1502AK	\$296
Total List Price			\$3,845



QTY.	DESCRIPTION	MODEL NO.	LIST PRICE
1	Short Base Leg Assembly	1500LB	\$173
1	30" x 48" Worktable	3048AD	\$544
1	30" x 48" Adder Corner Worktable	3048AC	\$733
1	30" x 60" Adder Worktable	3060AD	\$616
1	3/4 Profile, 2-Drawer Pedestal	3102DP	\$417
1	Articulating Keyboard Arm	1502AK	\$296
Total List Price			<u>\$2,779</u>



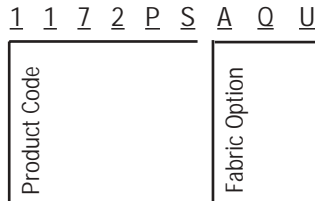
QTY.	DESCRIPTION	MODEL NO.	LIST PRICE
1	Short Base Leg Assembly	1500LB	\$173
2	30" x 60" Adder Worktables	3060AD	\$1232
1	30" x 48" Adder Corner Worktable	3048AC	\$733
1	Full Profile, 2-Drawer Pedestal	3002DP	\$489
1	Full Profile, 3-Drawer Pedestal	3003DP	\$542
1	Center Drawer	2404DP	\$157
1	60" Flipper Door Overhead Unit	1360BD	\$941
1	Letter Trays (set of two)	1506LT	\$185
1	Worksurface Task Light	1504TL	\$296
1	Articulating Keyboard Arm	1502AK	\$296
Total List Price			<u>\$5,044</u>



QTY.	DESCRIPTION	MODEL NO.	LIST PRICE
1	Starter Leg	1530ST	\$201
1	30" x 60" Adder Worktable	3060AD	\$616
1	30" x 30" Adder Worktable	3030AD	\$443
1	30" x 60" Peninsula Worktable	3060PI	\$503
1	Full Profile, 3-Drawer Pedestal	3003DP	\$542
1	60" Flipper Door Overhead Storage Unit	1360BD	\$941
1	60" Privacy Height Partition Screen, 23" tall	1160PS	\$319
1	30" Privacy Height Partition Screen, 23" tall	1130PS	\$218
Total List Price			<u>\$3,783</u>

**PARTITION SCREEN
FABRIC OPTIONS**

When ordering partition screens requiring a fabric selection, use the codes shown to the right:



Group 1 Fabric

<u>Fabric Color</u>	<u>Order Code</u>
Shetland Series	
Charcoal	BLK
Wheat	WET
Gray	GRY
Tan	TAN
Blue Neutral	BLN
Lido Series	
Acadia	ACA
Scarborough	SCR
Balboa	BAL
Smith Point	SMP
Sand Hill	SAN

Group 2 Fabric

(NON-CANCELABLE & NON-RETURNABLE)

<u>Fabric Color</u>	<u>Order Code</u>
Serendipity Series	
Four Leaf Clover	FLC
Silver Spoon	SSP
Jack Pot	JCP
Lady Luck	LAD
Lucky Duck	LUC

Group 3 Fabric

(NON-CANCELABLE & NON-RETURNABLE)

<u>Fabric Color</u>	<u>Order Code</u>
Intaglio Series	
Linocut	LIN
Woodtint	WDT
Gem Stone	GEM
Aquatint	AQU
Steel	STE

DOMAIN™ COMPUTER FURNITURE

Mayline Customer Service: 1-800-822-8037

Freight Program Applies: **1**

DOMAIN™ ACCESS COMPUTER FURNITURE

Domain Access Computer Furniture maximizes the keyboard surface on corner units using a unique fit between corner units and side reference desks.

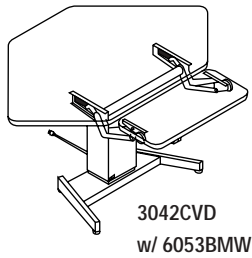
Work Surfaces: 1" thermally-fused melamine or high-pressure laminate with T-mold edge is standard. Tops interconnect for added stability.

Bases: Welded steel. Optional extruded leg covers available for cable management. Leg covers fit all 29" high Domain desks.

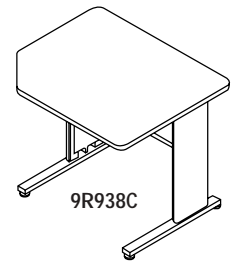
Finishes: Birch, Gray, or Speckled Gray Matrix Melamine. All Corporate Laminates available. Black, Gray, or Sand Beige paint standard.

Hutches: 5/8" thermally-fused melamine or high-pressure laminate risers – steel bin. Over-the-top style door. Lock standard. Task light standard on laminate hutches; must be ordered separately for melamine hutches. 20 1/2" clearance under bin. Melamine hutches come with Wheat, Tan or Gray fabric tack board.

Bookcases: 5/8" thermally-fused melamine or high-pressure laminate risers – steel shelf. Melamine bookcases come with Wheat fabric tack board. Laminate bookcases come with Wheat, Tan or Gray fabric tack board.

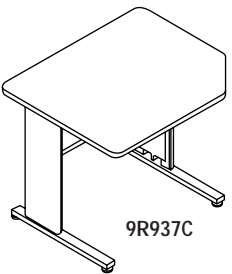


Description	Wt.	Melamine Model No.	Melamine List Price	Laminate Model No.	Laminate List Price
Dual-surface VariTask electric adjustable corner unit with DataCenter Keyboard mechanism					
42" x 30", top only	40 #	3042CVD	\$454	3042CVDL	\$529
45" x 30", top only	60 #	3045CVD	\$492	3045CVDL	\$620
48" x 30", top only	78 #	3048CVD	\$543	3048CVDL	\$671
E-Series Base and Datacenter	100 #	6053BMW	\$1415	6053BMW	\$1415



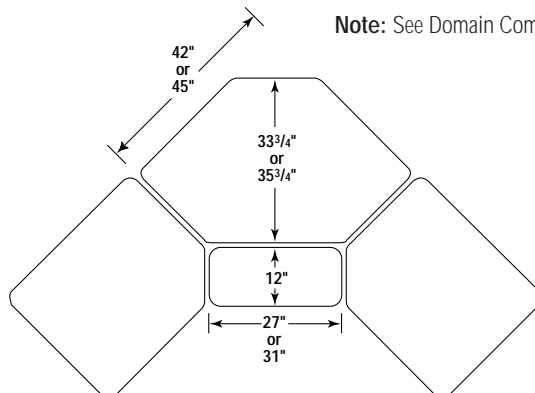
Right-side reference desks - 30" depth

Description	Wt.	Melamine Model No.	Melamine List Price	Laminate Model No.	Laminate List Price
36"W x 30"D x 29"H	71 #	9R938	\$339	9R938L	\$479
48"W x 30"D x 29"H	96 #	9R950	\$389	9R950L	\$546
60"W x 30"D x 29"H	114 #	9R962	\$439	9R962L	\$604
72"W x 30"D x 29"H	125 #	9R974	\$519	9R974L	\$707
Leg covers for cable management	5 #	18230	\$60	18230	\$60



Left-side reference desks - 30" depth

Description	Wt.	Melamine Model No.	Melamine List Price	Laminate Model No.	Laminate List Price
36"W x 30"D x 29"H	71 #	9R937	\$339	9R937L	\$479
48"W x 30"D x 29"H	96 #	9R949	\$389	9R949L	\$546
60"W x 30"D x 29"H	114 #	9R961	\$439	9R961L	\$604
72"W x 30"D x 29"H	125 #	9R973	\$519	9R973L	\$707
Leg covers for cable management	5 #	18230	\$60	18230	\$60



Note: See Domain Computer Furniture (pgs. 77-78) for compatible accessories.

Freestanding Access Corner

DOMAIN™ COMPUTER FURNITURE

Mayline Customer Service: 1-800-822-8037

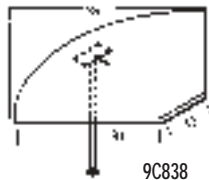
Work Surfaces: 1" thermally-fused melamine or high-pressure laminate with T-mold edge is standard. Tops interconnect for added stability.

Bases: Welded steel. Optional extruded leg covers available for cable management. Leg covers fit all 29" high Domain desks.

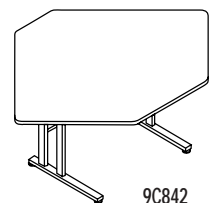
Finishes: Birch, Gray, or Speckled Gray Matrix Melamine. All Corporate Laminates available. Black, Gray, or Sand Beige paint standard.

Hutches: 5/8" thermally-fused melamine or high-pressure laminate risers – steel bin. Over-the-top style door. Lock standard. Task light standard on laminate hutches; must be ordered separately for melamine hutches. 20 1/2" clearance under bin. Melamine hutches come with Wheat, Tan or Gray fabric tack board.

Bookcases: 5/8" thermally-fused melamine or high-pressure laminate risers – steel shelf. Melamine bookcases come with Wheat fabric tack board. Laminate bookcases come with Wheat, Tan or Gray fabric tack board.

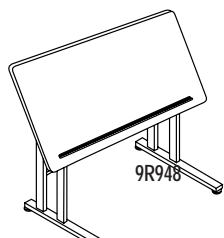


9C838

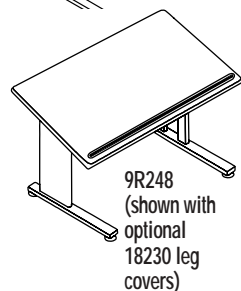


9C842

Description	Wt.	Melamine Model No.	Melamine List Price	Laminate Model No.	Laminate List Price
Corner Units					
Pie-shaped corner for 30" reference desks	43 #	9C838	\$272	9C838L	\$399
Freestanding corner unit, 42" x 30"	86 #	9C842	\$482	9C842L	\$584
Freestanding corner unit, 45" x 30"	97 #	9C845	\$489	9C845L	\$589
Freestanding corner unit, 48" x 30"	105 #	9C848	\$494	9C848L	\$599
Freestanding corner unit, 54" x 36"	109 #	9C754	\$699	9C754L	\$939
Leg covers for cable management – pair	5 #	18230	\$60	18230	\$60



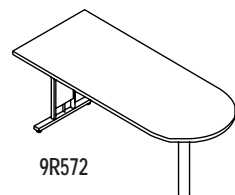
9R948



9R248 (shown with optional 18230 leg covers)

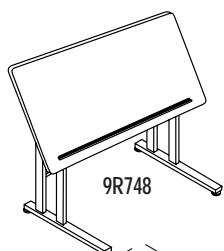
Description	Wt.	Melamine Model No.	Melamine List Price	Laminate Model No.	Laminate List Price
30" Deep Reference Desks					
36"W x 30"D x 29"H	67 #	9R936	\$294	9R936L	\$356
42"W x 30"D x 29"H	77 #	9R942	\$333	9R942L	\$389
48"W x 30"D x 29"H	88 #	9R948	\$350	9R948L	\$424
60"W x 30"D x 29"H	104 #	9R960	\$389	9R960L	\$472
72"W x 30"D x 29"H	126 #	9R972	\$443	9R972L	\$538
36"W x 30"D x 29"H, 0° to 45° manual tilt top*	87 #	9R236	\$459	9R236L	\$629
42"W x 30"D x 29"H, 0° to 45° manual tilt top*	73 #	9R242	\$479	9R242L	\$659
48"W x 30"D x 29"H, 0° to 45° manual tilt top*	88 #	9R248	\$499	9R248L	\$689
Domain Connector Kit - attaches a pie corner to a tilt top table.	7 #	10160	\$48	10160	\$48
71"W x 30"D x 29"H, Peninsula table	100 #	9R572	\$443	9R572L	\$538
Leg covers for cable management - pair	5 #	18230	\$60	18230	\$60
Desk End Panel, Right Hand	15 #	18231R	\$98		
Desk End Panel, Left Hand	15 #	18231L	\$98		

* When mounting straightedges to T-molded top, order next size smaller straight edge. Use 10104 Hardware Bag.



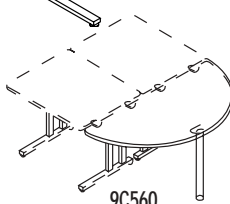
9R572

Description	Wt.	Melamine Model No.	Melamine List Price	Laminate Model No.	Laminate List Price
36" Deep Reference Desks					
36"W x 36"D x 29"H	73 #	9R736	\$369	9R736L	\$499
48"W x 36"D x 29"H	111 #	9R748	\$399	9R748L	\$549
60"W x 36"D x 29"H	111 #	9R760	\$429	9R760L	\$599
72"W x 36"D x 29"H	138 #	9R772	\$459	9R772L	\$749
Leg covers for cable management – pair	5 #	18230	\$60	18230	\$60

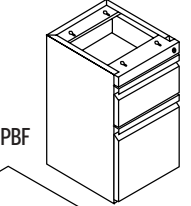
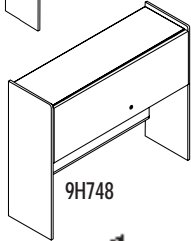
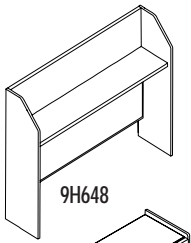


9R748

Description	Wt.	Melamine Model No.	Melamine List Price	Laminate Model No.	Laminate List Price
Team Table					
Half-moon shaped work surface attaches two back-to-back 30" reference desks. 60"W x 30"D		9C560	\$345	9C560L	\$419



9C560



Description	Wt.	Melamine Model No.	Melamine List Price	Laminate Model No.	Laminate List Price
Desk Hutch and Bookcase - Task light included on laminate hutch models; must be ordered separately for melamine models. Complete with fabric finished tack board. Lock standard on hutches.					
48" Open bookcase, 48"W x 14 5/8"D x 36 1/2"H.	63 #	9H648	\$341	9H648L	\$414
60" Open bookcase, 60"W x 14 5/8"D x 36 1/2"H.	98 #	9H660	\$358	9H660L	\$433
48" Closed hutch with lock, 48"W x 14 5/8"D x 36 1/2"H.	111 #	9H748	\$537	9H748L	\$649
60" Closed hutch with lock, 60"W x 14 5/8"D x 36 1/2"H.	128 #	9H760	\$601	9H760L	\$729
Optional task light for melamine hutch models.	4 #	Z264	\$164		

Model No.	Description	Wt.	List Price
Privacy Screens - Fabric-finished tack board on both sides. Metal frame.			
2D636	For 36"W Desk – 1 panel, 35 5/8"W x 18 3/8"H	20 #	\$241
2D648	For 48"W Desk – 1 panel, 47 5/8"W x 18 3/8"H	22 #	\$285
2D660	For 60"W Desk – 1 panel, 59 5/8"W x 18 3/8"H	24 #	\$313
2D690	For 48" Corner – 2 panels, 46 1/2"W x 18 3/8"H	44 #	\$602
2D890	For 54" Corner – 2 panels, 52 7/16"W x 18 3/8"H	46 #	\$662

Frame/fabric colors: Gray, Wheat, Tan.

Steel Drawer Pedestal Units - Keyed gang lock. File drawers include full-height sides to accommodate hanging files.

Desk-Mounted Storage Units with Quick Mount System

DPBF	One storage and one file drawer; 19 3/8"H x 15 1/4"W x 21 3/4"D	52 #	\$312
DPBBF	Two storage and one file drawer; 25 1/8"H x 15 1/4"W x 21 3/4"D	63 #	\$399
DPFF	Two file drawers; 25 1/8"H x 15 1/4"W x 21 3/4"D	60 #	\$368

Mobile Pedestal – 4 casters; 2 locking

MPBBF	Two storage and one file drawer; 27 1/8"H x 15 1/4"W x 21 3/4"D	86 #	\$455
MPFF	Two file drawers; 27 1/8"H x 15 1/4"W x 21 3/4"D	83 #	\$399

DOMAIN™ COMPUTER FURNITURE ACCESSORIES

Articulating Keyboard Arm Platform

- Articulates in & out and rotates 360°
- Tilts +15° to -15°
- Full articulation is limited on compact corners and "J" Table workstations
- Height adjustment has 5" range
- Meets ADA requirements

Model No.	Dimensions	Wt.	List Price
1502AK	21 3/4"W x 10"D x 4"H	12 #	\$296

Available in Black Only.

Full articulation is limited on the 2436 compact corner unit and "J" table workstations. In this configuration the tray will not raise above the worksurface.

Mouse Tray

- Connects to left or right side of 1502AK Articulating Keyboard Arm
- Swivels and tilts independently from keyboard tray 8"
- Full articulation is limited on compact corners and "J" Table workstations

Model No.	Dimensions	Wt.	List Price
1511AK	8"W x 8"D x 1/2"H	12 #	\$72

Available in Black Only.

Keyboard Tray



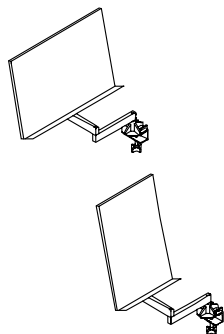
- Mounting brackets adjust to seven different heights and can be reversed for inboard or outboard mounting (outboard shown.)
- Features a cushioned wrist rest that is adjustable to five heights
- Accepts keyboards up to 3.6" thick
- Recommended for 29"H worktables only
- Overall space required 21 3/4"W x 17"D (inboard bracket position) or 24" on outboard bracket position
- Not to be used with 24" x 36" corner units
- Will not fit on 60" worksurface with drawer pedestals on each side

Model No.	Dimensions	Wt.	List Price
3000KB	21 1/4"W x 9 1/2"D	16 #	\$144

Available in Black Only.

Model No.	Description	Wt.	Standard Colors List Price
-----------	-------------	-----	----------------------------

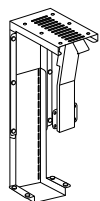
Articulated Document Holder



2D901	24"W x 18"H, arm extends 20", steel holder is height adjustable and permits use of magnetic fasteners (not included)	24 #	\$318
2D902	30"W x 20"H, arm extends 20", steel holder is height adjustable and permits use of magnetic fasteners (not included)	26 #	\$338
2D903	18"W x 24"H, with platform on arm that extends 20".	24 #	\$318
2D911	24"W x 18"H, with tilting platform on arm that extends 20".	26 #	\$341
2D912	30"W x 20"H, with tilting platform on arm that extends 20".	26 #	\$360
2D913	18"W x 24"H, with tilting platform on arm that extends 20".	26 #	\$341

Colors: Standard - Mist (with Black base)

CPU Rack



- Mounts vertically to underside of worksurface
- Height adjustable 15" - 24" - Width adjustable 3" - 9"
- Supports up to 85 lbs.
- 16 gauge steel construction
- Single hand operation

Model No.	Dimensions	Wt.	List Price
0600HR	13"D x adjustable height and width	14 #	\$156

Available in Black Only.

Model No.	Description	Wt.	List Price
-----------	-------------	-----	------------

D-Size Drawer - attaches under work surface



9D100	37"W x 24 1/4"D x 2"H, inside dimensions. Drawer sized to contain D-size drawings. All steel construction. Paint to match table base.	32 #	\$420
--------------	---	------	-------

Fits Domain desks 48", 60", and 72" wide. Fits Domain Access desks 60" and 72" wide only. Does not work with Tilt Top Desks.