

# SNYDER



**Equipment, Inc.**

*Storing, Rolling, Lifting since 1947*

## PRODUCT INFORMATION

# LIFT-RITE ERGONOMIC 3000 LIFT

2946 Larimer St. Denver, CO 80205  
303-295-1100 / 800-373-7693  
FAX 303-295-2464  
Email [info@snyderequipment.com](mailto:info@snyderequipment.com)  
[www.snyderequipment.com](http://www.snyderequipment.com)

# LIFT-RITE

MODEL: **ERGO** 3000  
nomic

*Matching of People  
and Machinery  
Requirements*



3000 lbs. Capacity



Electric or Manual Lift

# LIFT-RITE®

## ERGO 3000<sup>nomic</sup> Technical Specifications

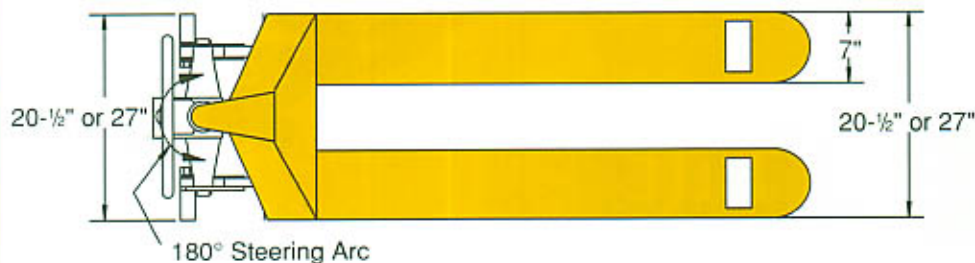
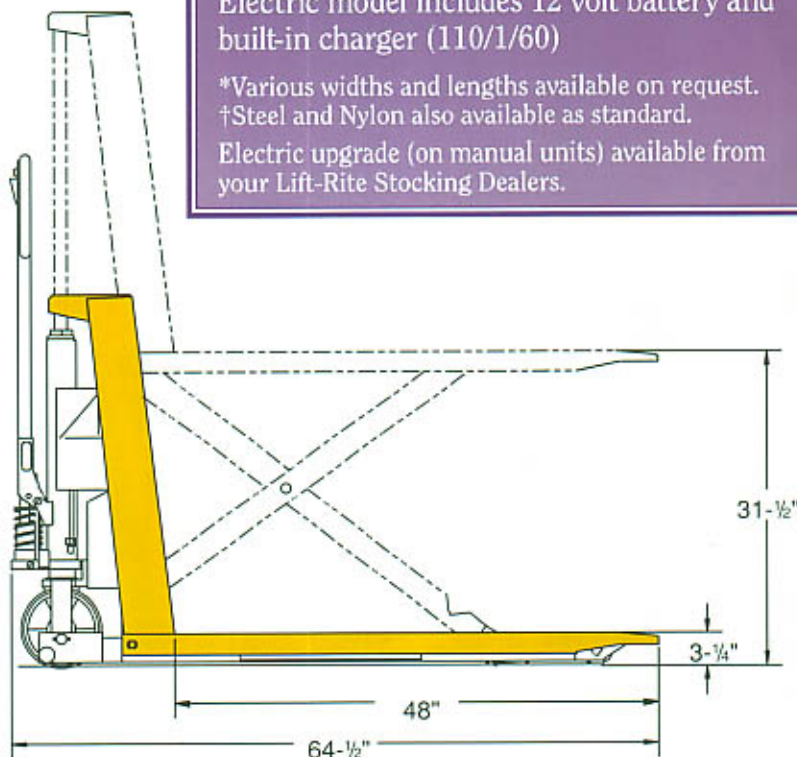
Capacity	3,000 lbs.
Load Centre	24"
Lowered Height	3-1/4"
Raised Height	31-1/2"
*Fork Length	48"
Fork Width	7"
*Overall Width	20-1/2" & 27"
Overall Length	64-1/2"
Weight(Manual)	340 lbs.
Weight(Electric)	440 lbs.
†Load Wheels	8" Dia. Polyurethane
†Load Rollers	3" Dia. Polyurethane
Steering Arc	180 degrees
Scissor Construction	Solid Steel bar

Electric model includes 12 volt battery and built-in charger (110/1/60)

\*Various widths and lengths available on request.

†Steel and Nylon also available as standard.

Electric upgrade (on manual units) available from your Lift-Rite Stocking Dealers.



### Manual Ergonomic 3000

The portable lift table features manual Quik-Lift with ease positioning for a wide variety of applications.



### Electric Ergonomic 3000

A manual operated, electric-powered scissor lift table designed for applications where raising and lowering are more frequent.

### Ergonomic 3000: *Matching of People and Machinery Requirements*

Ergonomic improvements boost productivity, cut costs, and create a safer workplace.