

# SNYDER



**Equipment, Inc.**

*Storing, Rolling, Lifting since 1947*

## PRODUCT INFORMATION

# Dero Hoop Rack

2946 Larimer St. Denver, CO 80205  
303-295-1100 / 800-373-7693  
FAX 303-295-2464  
Email [info@snyderequipment.com](mailto:info@snyderequipment.com)  
[www.snyderequipment.com](http://www.snyderequipment.com)

# HOOP RACK



**The Hoop Rack provide a high level of security and excellent bike support**

The Hoop Rack is a proven design that provides high security and easy bike parking. Hoop Racks come in a variety of installation options: In ground, foot mount, and a free standing rail mounted option.

The Hoop Rack uses thick pipe construction and the full radius of the bend makes the Hoop an attractive and functional bike rack. The Hoop Rack supports the bicycle at two points and allows for the wheel and frame to be secured using a u-style bike lock. Each Hoop Rack parks two bikes.

## FEATURES

- High security
- Superior bike support
- In ground or surface mounted
- One unit parks 2 bikes
- Free standing rail mount available



**DERO**  
BIKE RACK COMPANY

2657 32ND AVENUE S  
MINNEAPOLIS, MN 55406

[DERO@DERO.COM](mailto:DERO@DERO.COM)

[WWW.DERO.COM](http://WWW.DERO.COM)

TEL 888 337 6729

FAX 612 331 2731

# HOOP RACK - Specifications and Space Use

## Product Name

Dero Hoop Rack  
As manufactured by Dero Bike Racks

**Bikes Parked per Unit: 2**

## Materials:

1.5" schedule 40 pipe (1.9" OD)

## Finishes

An after fabrication hot dipped galvanized finish is standard. 250 TGIC powder coat colors and a stainless steel option are also available.

Our powder coat finish assures a high level of adhesion and durability by following these steps:

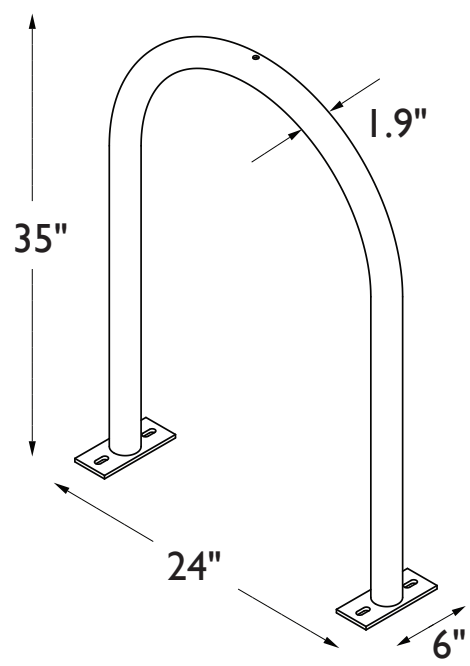
1. Sandblast
2. Iron phosphate pretreatment
3. Epoxy primer electrostatically applied
4. Final thick TGIC polyester powder coat

**Stainless Steel:** 304 grade stainless steel material finished in either a high polished shine or a satin finish.

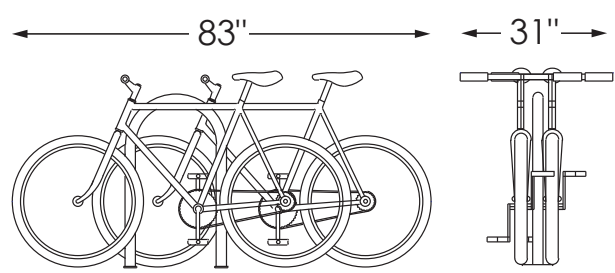
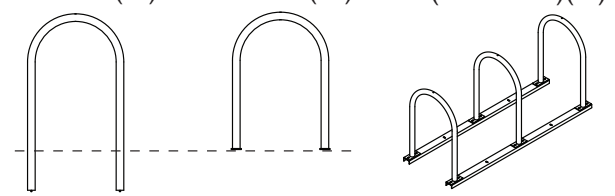
A rubbery PVC Dip is also available

## Installation Methods

- In ground mount is embedded into concrete base. Specify in ground mount for this option.
- Foot Mount has two 2.5"x6"x.25" feet with two anchors per foot. Specify foot mount for this option.
- Rail Mounted Hoops are bolted to two parallel rails which can be left freestanding or anchored to the ground. Rails are heavy duty 3"x1.4"x3/16" thick galvanized mounting rails. Specify rail mount for this option.



In Ground (IG)      Surface (FT)      Freestanding (Rail Mount)(FS)



## SETBACKS

### Wall Setbacks:

For racks set parallel to a wall:  
Minimum: 24"  
Recommended: 36"

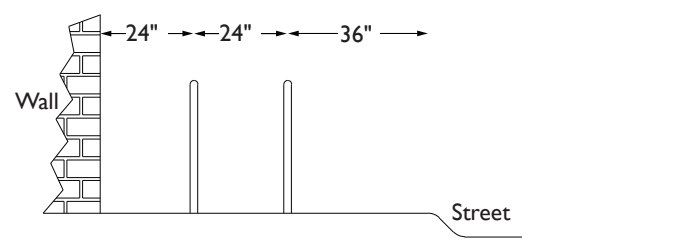
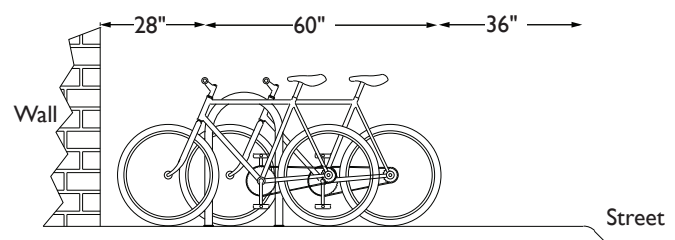
For racks set perpendicular to a wall:  
Minimum: 28"  
Recommended: 36"

### Distance Between Racks:

Minimum: 24"  
Recommended: 36"

### Street Setbacks:

Minimum: 24"  
Recommended: 36"



2657 32ND AVENUE S MINNEAPOLIS, MN 55406		TEL 888 337 6729
DERO@DERO.COM	WWW.DERO.COM	FAX 612 331 2731

## FOOT MOUNT

The foot mounted Hoop Rack has 2.5"x6"x.25" mounting brackets welded to each end. Each bracket is anchored to the ground with two anchors. Stainless steel anchoring hardware is also available and should be considered where snow and ice are regular conditions.

### Recommended Base Materials:

Solid concrete is the best base material for installation. To ensure the proper anchors are shipped with your rack, ask your Dero Rack representative which anchor is appropriate for your application.

### Installation:

3/8" anchors are shipped with the rack. Place the rack in the desired location. Use a marker or pencil to outline the holes of the flange onto the base material. Drill the holes in accordance with the specifications shipped with the anchors. Make sure the holes are at least 3" away from any cracks in the base material.

### Tamper Resistant Fasteners

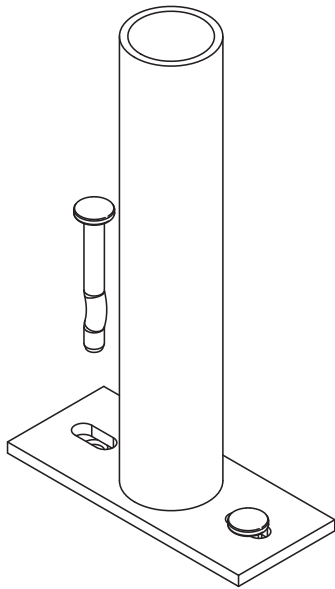
The concrete spike is a permanent anchor. The top of the wedge anchor can also be pounded sideways after installation so that it cannot be removed. Other tamper resistant fasteners are also available for purchase.

When using the special tamper resistant nuts, always set and first tighten the anchors. Once the rack is installed, replace two nuts from the bracket (opposite sides from each other) with the tamper resistant fastener. **DO NOT OVERTIGHTEN** the tamper resistant nut.

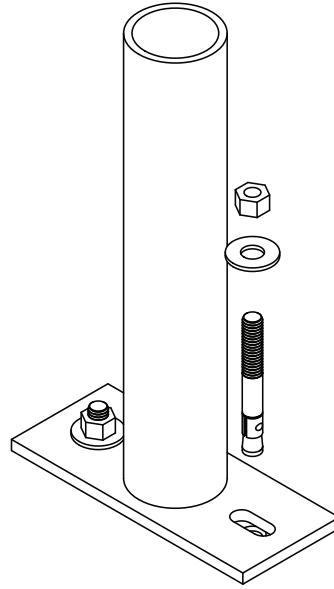
If you have any questions about installation or other features of the Hoop Rack, please call Derovations at 888-DERO-RAX (888-337-6729).

### Tools Needed for Installation

- Tape Measure
- Marker or Pencil
- Masonry Drill Bit
- Drill (Hammer drill recommended)
- Hammer
- Wrench
- Level



**Concrete Spike**



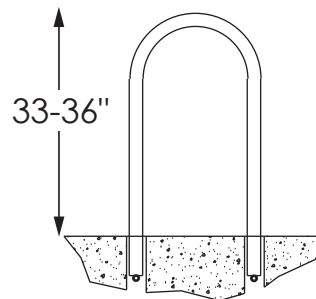
**Wedge Anchor**

# HOOP RACK - Installation Instructions

## IN GROUND MOUNT

### Installing into Existing Sidewalk

Core holes no less than 3" diameter (4" recommended) and no less than 6" deep into sidewalk. Fill holes with non-shrink epoxy grout. Place Hoop Rack into hole filled with epoxy. 33"-36" of the Hoop Rack should remain above the surface. If the Hoop Rack is less than 33" high, it will not support the bike adequately. Make sure the rack is level and held in place until the grout has set.

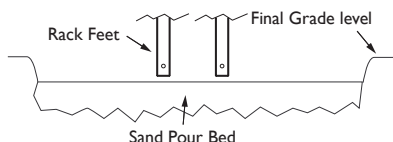


### Installing Into a New Sidewalk:

### Sleeve Method:

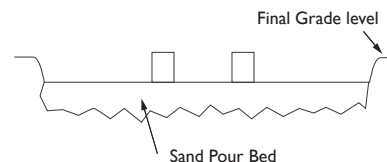
#### Step 1

Use rack to measure exact location in pour bed.



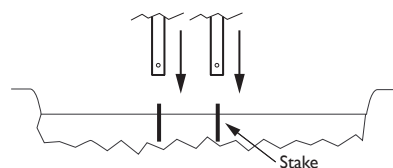
#### Step 1

Place corrosion resistant sleeve (min. 3" inside diameter) in sand pour bed in exact location where the rack will be installed. Make sure top of sleeve is at same level as desired finished concrete surface. Fill sleeve with sand to keep it in place and prevent it from filling with concrete.



#### Step 2

Pound stakes into pour bed where ends of rack will sit. Slide rack ends into stakes. You may need to dig the ends of rack into the sand to make sure rack sits at least 35" above final grade level. The stakes keep the rack straight while the concrete is being poured.



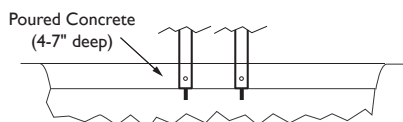
#### Step 2

Pour concrete and allow to cure



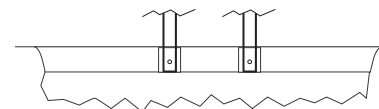
#### Step 3

Make sure rack is level and true, pour concrete around rack. Make sure rack is not moved until concrete has completely set.

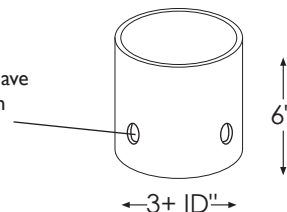


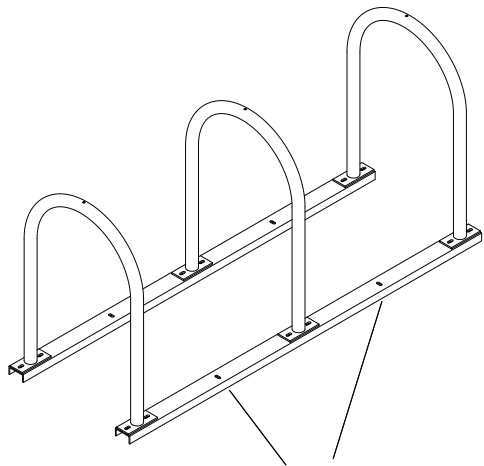
#### Step 3

After appropriate cure time, dig out sand from sleeves and pour in non-shrink epoxy grout. Insert racks and make sure they are level and at the appropriate height. Allow grout to set.

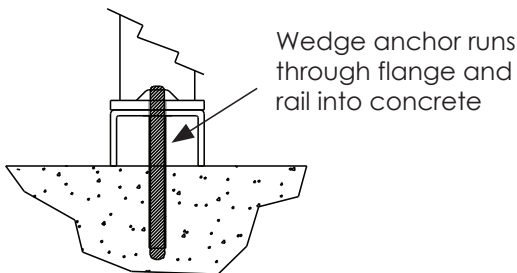


Note: Sleeve should have profile to keep it from coming loose from hardened concrete.





Holes for mounting to concrete  
(if necessary)



Wedge anchor runs through flange and rail into concrete

## RAIL MOUNTED HOOPS

Rail mounted Hoop Racks are standard foot mounted Hoop Racks attached with bolts to a rail as in the diagram at left. Rail mounted racks provide more flexibility than other mounting options while providing the same degree of security.

Rail mounted Hoop Racks can be left freestanding, or they can be anchored to the ground using several anchors. This option allows for easier snow removal and sweeping. Installation of Rail mounted Hoops is also much less expensive than embedding the racks into the ground.

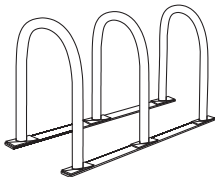
*\* Note: Though racks may be painted, the rails will remain with only a galvanized finish*

### Advantages to rail mounted Hoop Racks:

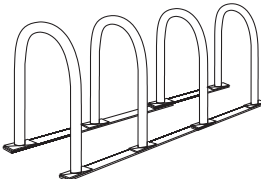
- Easier and inexpensive installation
- Can be left freestanding or anchored to the ground
- Easier to remove for sweeping and snow removal

### Applications where Rail Mounted Hoops work best:

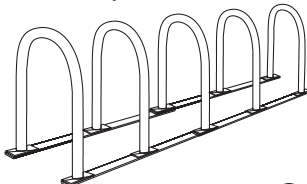
- Installation to pavers
  - Asphalt Installations
  - Ground, dirt, or mulch
- Situations where the rack needs to be moved occasionally



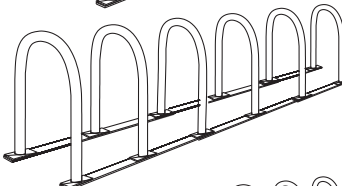
3 Hoop  
Rail Rack  
76" Long  
Parks 6 Bikes



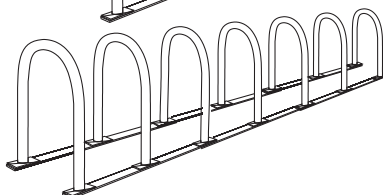
4 Hoop  
Rail Rack  
108" Long  
Parks 8 Bikes



5 Hoop  
Rail Rack  
146" Long  
Parks 10 Bikes



6 Hoop  
Rail Rack  
181" Long  
Parks 12 Bikes



7 Hoop  
Rail Rack  
216" Long  
Parks 14 Bikes

# HOOP RACK - Rail Mounted Hoop Installation Instructions

## Tools Needed for Installation:

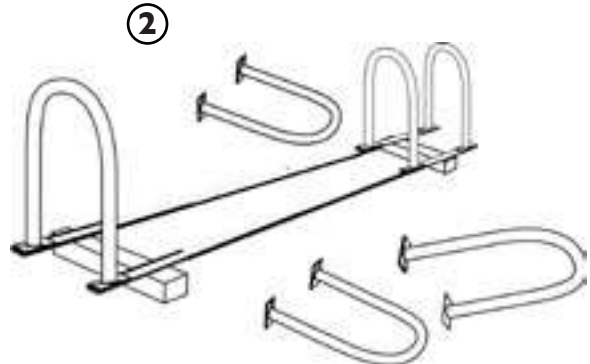
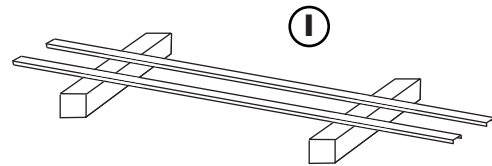
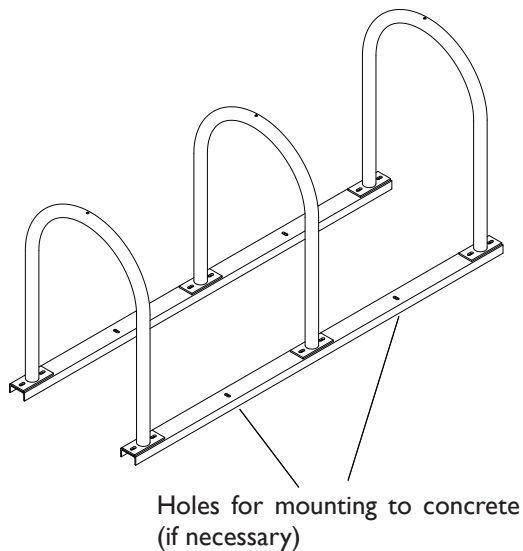
- 9/16" Socket set
- Two 4"x4"x28" (or larger) blocks
- 4 bolts, nuts and washers for every Hoop (included with rack). If using a tamper resistant nuts, install two tamper resistant nuts with each rack.

## Installation Steps:

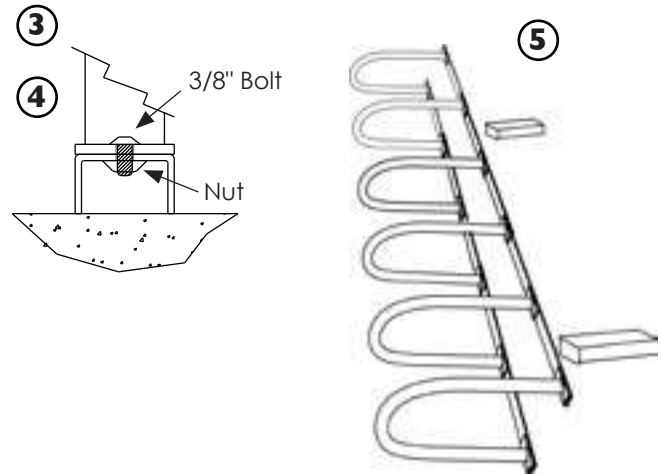
- 1 Lay out the two channel beams where the rack will be placed. Place the two beams on top of the two blocks of wood so that the open part of the channel faces the ground.
- 2 Place Hoop Racks on beams so holes in rack flanges line up with beam slots
- 3 Put bolts through Hoop Rack flange holes and beams so bolt head faces up
- 4 HAND tighten the nuts using new flange nuts.
- 5 Once nuts are on, tip assembled rack over and use a 9/16" socket to tighten nuts. Before fully tightening nuts, make sure the racks are straight on beams. If using tamper resistant nuts, use access tool to tighten nuts. Tip rack upright.

## Anchoring the Rails

To anchor the rails to concrete, place 5" wedge anchor through holes in the rail into the concrete. Secure with nut.



## Freestanding Setup



## Rails anchored to surface

