



SNYDER



Equipment, Inc.

Storing, Rolling, Lifting since 1947

PRODUCT INFORMATION

Aurora Shelving storage drawers

2946 Larimer St. Denver, CO 80205

303-295-1100 / 800-373-7693

FAX 303-295-2464

Email info@snyderequipment.com

www.snyderequipment.com

AURORA®

Quik-Lok® Shelving Divided Storage Drawers



Aurora Divided Drawer can easily turn open shelving into locking drawers for general storage.

Aurora Divided Drawers come in a full range of depths, widths and heights for use on Aurora Shelving or Aurora Mobile. The Divided Drawer features partitions and dividers for flexible, compartmentalized storage.

Divided Drawers are perfect for segmented storage, from larger items such as office supplies to small bulk items.



GS25F0084M

Divided Drawer

- Provides Versatile Storage for Personal Items, Media, Office Supplies, Forms
- Retrofits to Aurora Shelving or Aurora Mobile
- Features Unique Double Interlock Safety
 - Prevents the Accidental Opening of Multiple Drawers
- Offers Optional Individual Drawer Lock with dual lock rods



eco-friendly

Quik-Lok® Shelving Divided Storage Drawers

Features

Divided Drawers easily store all types of items from office supplies to forms, to small bulk items. A variety of heights and depths provide maximum flexibility in this storage system.

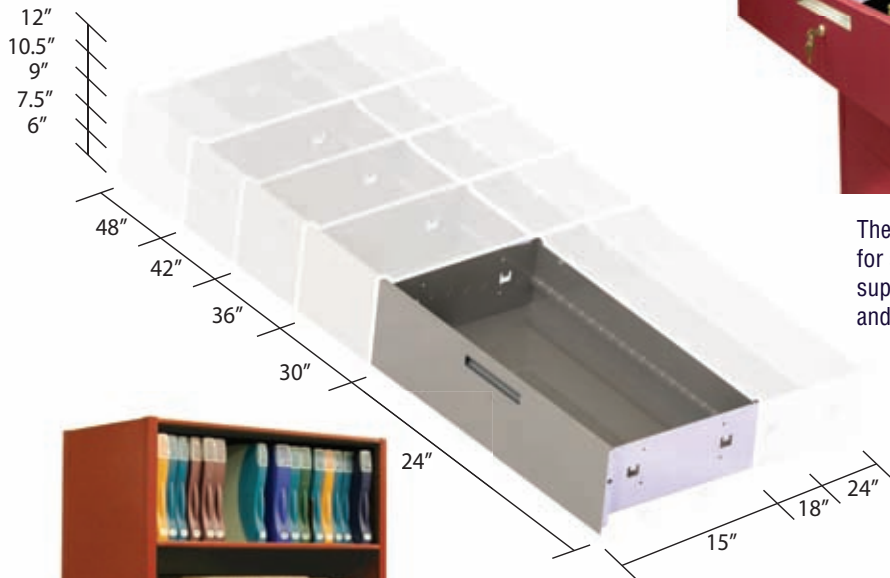
- Configure Drawers into 3, 4, 6, or 8 compartments
- Order partitions and dividers separately to suit your unique storage needs
- Optional Individual Drawer Lock with dual lock rods
- Field retrofits to Aurora Shelving or Aurora Mobile
- Features double interlock safety
- Only one drawer can open at a time
- Comes in 29 beautiful colors in Gloss-Tek™ powder coat an eco-friendly finish with no harmful VOC's.
- Custom colors and antimicrobial finishes are also available.

Drawer Dimensions

Widths: 24", 30", 36", 42", 48"

Depths: 15", 18", 24"

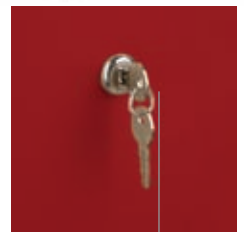
Heights: 6", 7.5", 9", 10.5", 12"



Divide Drawers into 3, 4, 6, or 8 compartments with partitions and dividers



The Divided Drawer is convenient for so many items including office supplies, forms, pharmaceutical and small parts.



Selective security where you want it.

Smooth drawer operation with Accuride® slides.



Unique double interlock safety allows only one drawer to open at a time.

AURORA®

Aurora from Richards-Wilcox, Inc.
600 South Lake Street Aurora, Illinois 60506
800.277.1699 Fax: 630.897.6994 www.aurorastorage.com

*For user safety, Quik-Lok Shelving units must be anchored to the floor at four points through the Quik-Base.

Aurora Shelving Products 6" Drawer Installation Instructions

NOTE: Shelving unit must be anchored to the floor through the Quik-Bases in front and back and must be anchored to a wall or other shelving unit in back.

1. Starting from the bottom, install shelf supports in the front and back (4) keyhole slots (6") up from the Quik-Base. Secure the back shelf support to the posts using a Tek screw through the holes in the ears of the shelf support (see figure 1).
2. Install slides in slide brackets by slipping lances in slides into the slots in the slide brackets. (LH slide in LH bracket, RH slide in RH bracket (see figure 2).
3. Drop the ears of the slide brackets into the top of the channel of the shelf supports and secure using #10-32 x 1/2 screws and #10 nuts. (see figures 3). If this is your second drawer or more, install the wire interlock rod between the slides on each side (see figure 5).

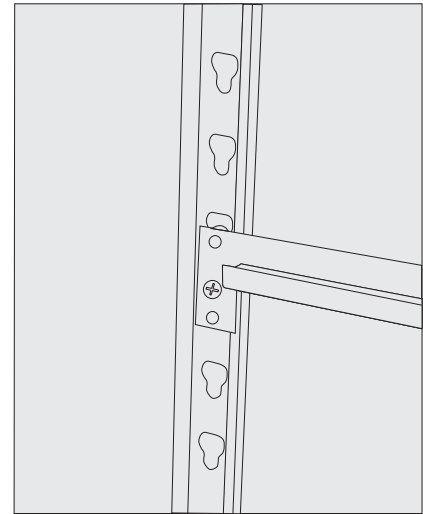


Figure 1

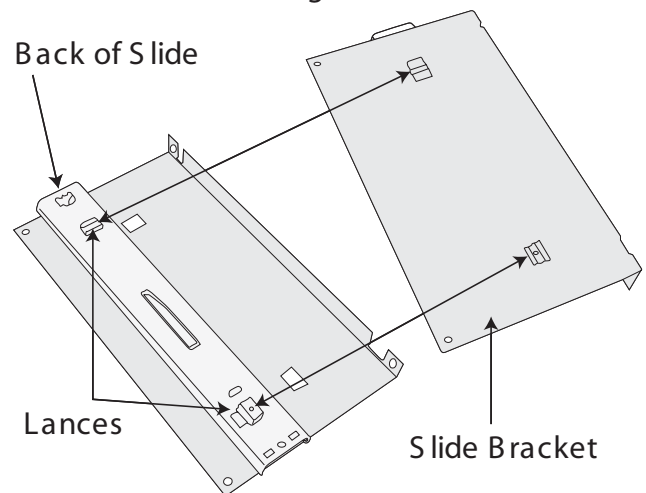


Figure 2

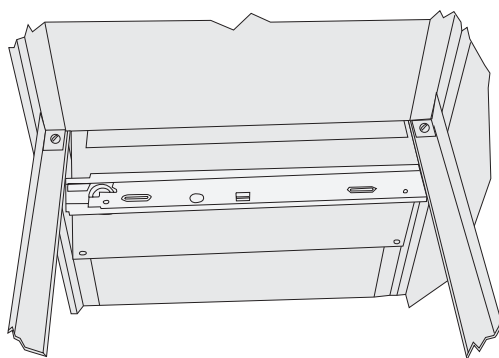


Figure 3

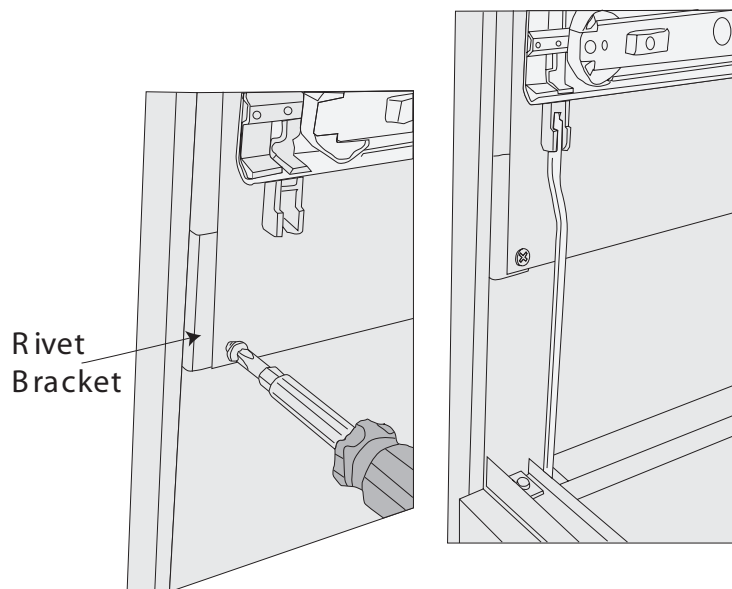


Figure 5

4. Remove the screw(s) joining the drawer front to the drawer front liner, then place the drawer body on the drawer front and liner and secure with #10 x $\frac{3}{8}$ sheet metal screws (see figure 6).
5. Fully extend slides, then drop the drawer onto the slides. Fit the lances of the drawer slide into the embossed pockets in the slide (see figure 7).
6. The drawer fronts may need to be adjusted to line up evenly.

Figure 6

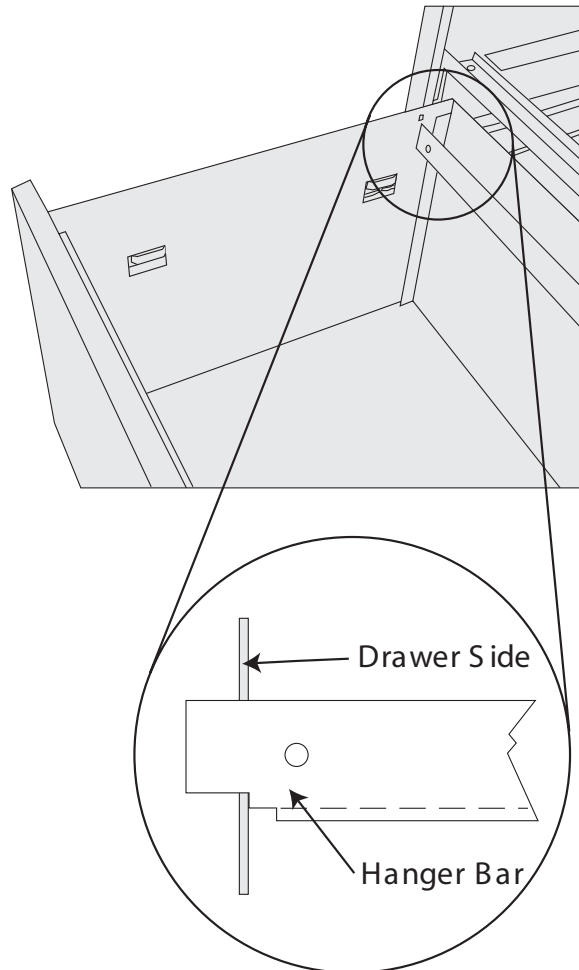


Figure 7

Aurora Shelving Products 12" Drawer Installation Instructions

NOTE: Shelving unit must be anchored to the floor through the Quik-Bases in front and back and must be anchored to a wall or other shelving unit in back.

1. Starting from the bottom, install shelf supports in the front and back (8) keyhole slots (12") up from the Quik-Base. Secure the back shelf support to the posts using a Tek screw through the holes in the ears of the shelf support (see figure 1).
2. Install (4) Rivet Brackets (3) keyhole slots (5") down from the shelf support in the posts.
3. Install slides in slide brackets by slipping lances in slides into the slots in the slide brackets. (LH slide in LH bracket, RH slide in RH bracket (see figure 2).
4. Drop the ears of the slide brackets into the top of the channel of the shelf supports and secure using #10-32 x 1/2 screws and #10 nuts. Secure slide brackets to the rivet brackets using #10 x 3/8 sheet metal screws (see figures 3 and 4). If this is your second drawer or more, install the wire interlock rod between the slides on each side (see figure 5).

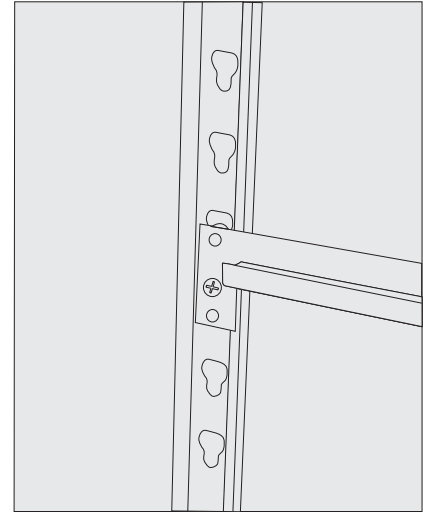


Figure 1

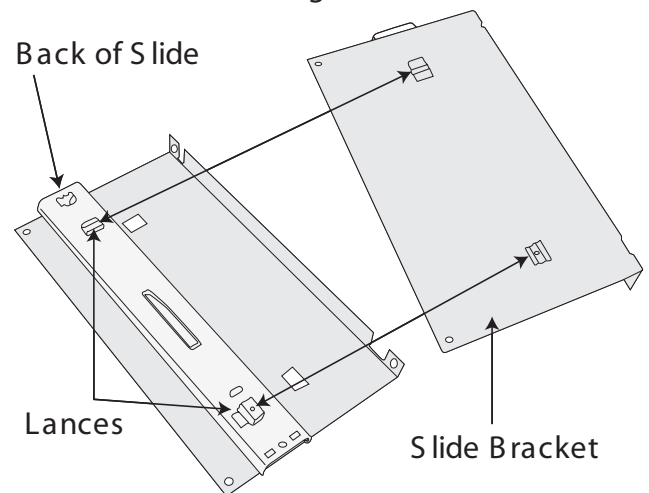


Figure 2

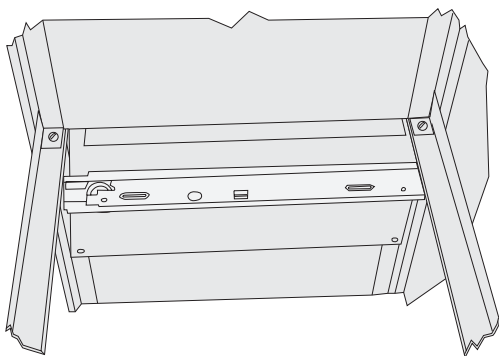


Figure 3

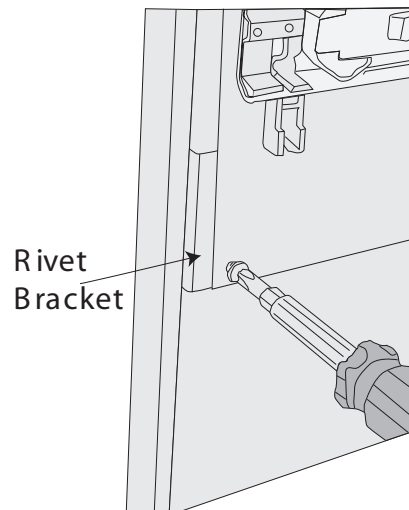


Figure 4

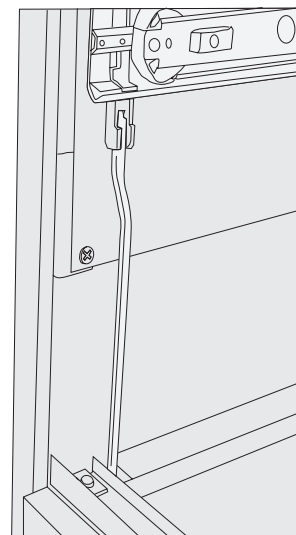


Figure 5

5. Remove the screw(s) joining the drawer front to the drawer front liner, then place the drawer body on the drawer front and liner and secure with #10 x $\frac{3}{8}$ sheet metal screws (see figure 6).
6. Fully extend slides, then drop the drawer onto the slides. Fit the lances of the drawer slide into the embossed pockets in the slide (see figure 7).
7. The drawer fronts may need to be adjusted to line up evenly.
8. Slide the hanger bars into the slots of the drawer.

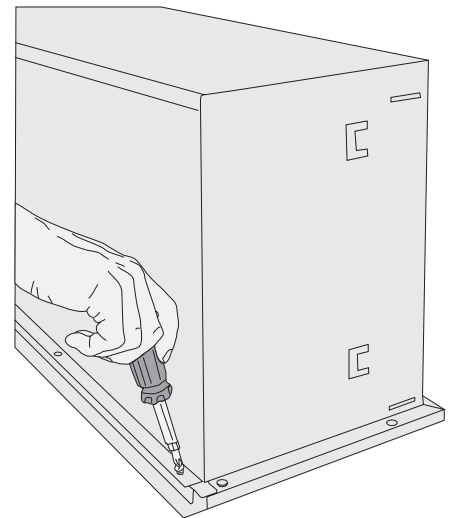


Figure 6

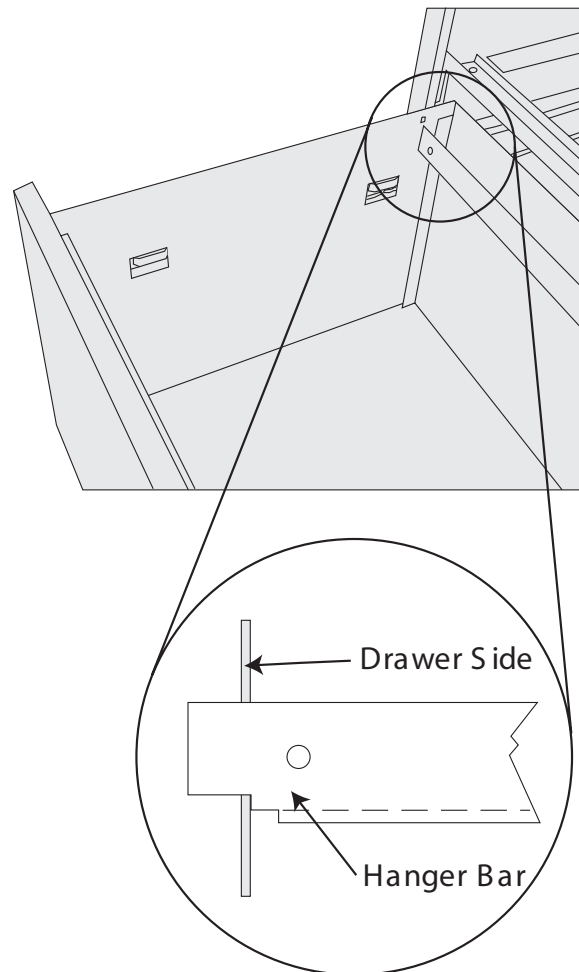


Figure 7