



DERO

KOLO SHELTER

- Large-scale canopy protection
- Three lengths available
- Modular construction

The unique styling of our redesigned Dero Kolo Shelter will help beautify your facility and provide secure, covered bike parking for cyclists. The Kolo is designed to accommodate a variety of bike parking options, including vertical and two-tiered arrangements, to best suit your needs.

Modular construction makes the Dero Kolo Shelter a flexible and cost-effective choice for your bike parking project.



SNYDER

Equipment, Inc.
Storing, Rolling, Lifting since 1947

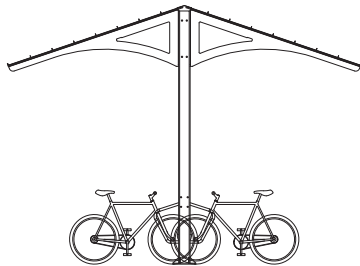
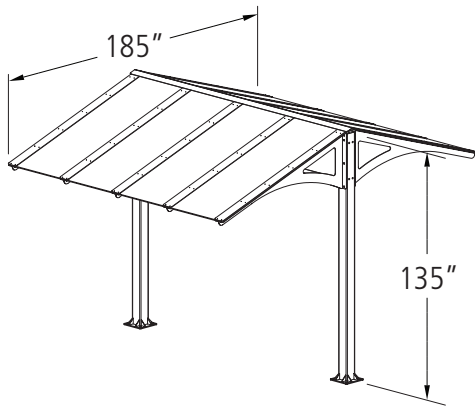
2946 LARIMER ST.
DENVER, CO 80205
303-295-1100/800-373-7693
FAX 303-295-2464
www.snyderequipment.com

www.dero.com

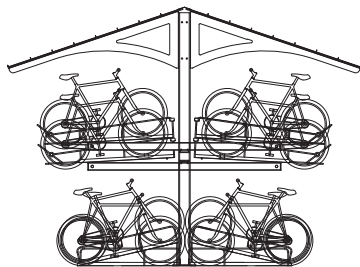
1.800.337.6729



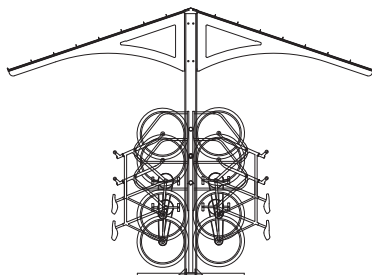
Printed on recycled paper


Campus Rack

Capacity by shelter length
 Short: 5 Bikes
 Medium: 9 Bikes
 Long: 11 Bikes


Dero Deckers

Capacity by shelter length
 Short: 14 Bikes
 Medium: 22 Bikes
 Long: 30 Bikes


Ultra Space Saver

Capacity by shelter length
 Short: 6-9 Bikes
 Medium: 12-18 Bikes
 Long: 16-24 Bikes

Product

Dero Kolo Shelter
 As manufactured by Dero Bike Racks

Capacity

See diagrams below and to the left

Materials


Uprights: 6" x 1/4" square tube
 Center member: 6" x 1/4" square tube, C6 channel
 Feet: 1/2" plate
 Rafter: 3/16" plate
 Roof Panels: 1/2" UV resistant polycarbonate

Finishes


An after fabrication hot dipped galvanized finish is our standard option. 250 TGIC powder coat colors, and a thermoplastic coating are also available as alternate options.

Our powder coat finish assures a high level of adhesion and durability by following these steps:

1. Sandblast
2. Epoxy primer electrostatically applied
3. Final thick TGIC polyester powder coat

Installation Methods


Surface Mount: It is the responsibility of the installer to ensure that all base materials into which the shelter will be installed can support the rack and will not be damaged by any required installation procedures. See structural drawings for details.

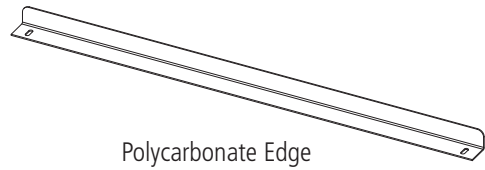
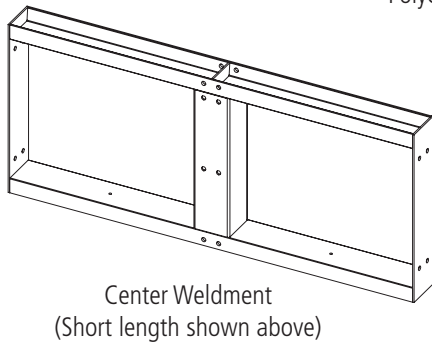
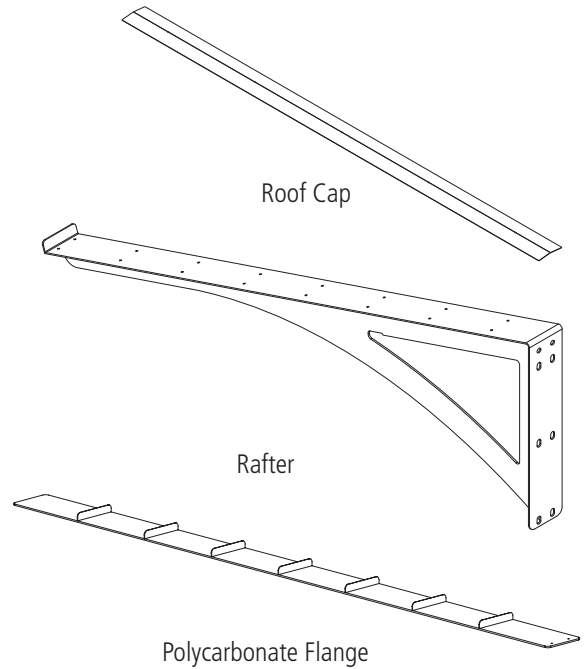
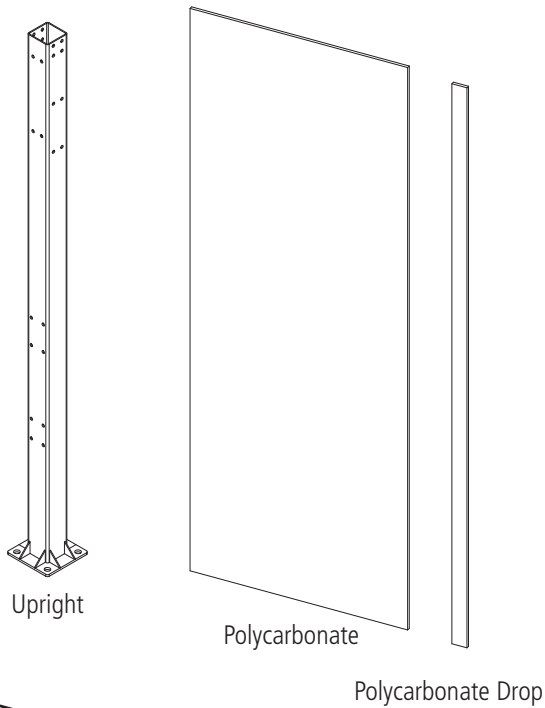
Space Use and Setbacks


Overall dimensions:
 Short: L 80", W 185", H 135"
 Medium: L 117", W 185", H 135"
 Long: L 154", W 185", H 135"

Load Data


Dead load = self weight of structure
 Live load = 40 psf
 Wind load = 90 mph exposure B
 Seismic load = Moderate
 Footing: see page 4
 Anchor bolt = 1" diameter x 12" Simpson Strong-Bolt wedge anchor

Dero Shelters can be used in a modular fashion (shared uprights) however, when used in this manner, please consult a Dero Bike Rack sales associate for layout, as the rack spacing and bike capacity can change!



Tools Needed for Installation

- Tape Measure
- Marker or chalk
- Level
- Sledge Hammer
- Rubber Mallet
- Large Hammer Drill
- Standard Drill
- 3/8" Socket with drill attachment
- 1" Diameter Masonry Bit
- 7/16" Wrench/Socket
- 15/16" Wrench/Socket
- 1.5" Wrench/Socket
- Spud Wrench
- Heavy Lifting Equipment and Strap

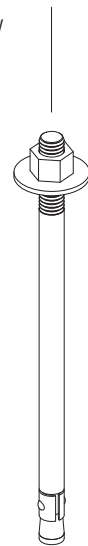
Bolt
.25" x 6.5"



Bolt
.625" x 7.5"



Wedge Anchor
1" x 12"



Bolt
.625" x 1.5"

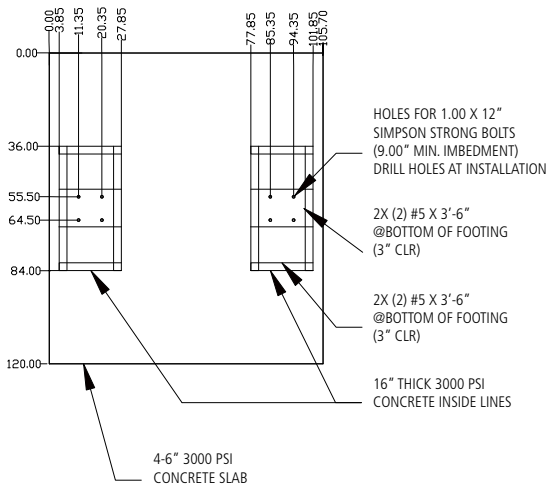


Self Drilling Screw
.25" x 1"

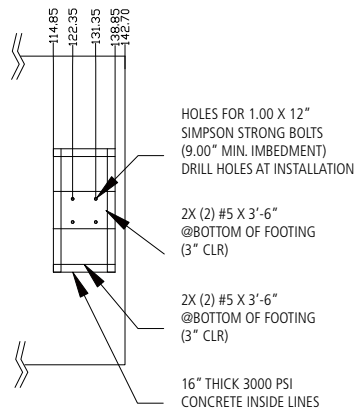




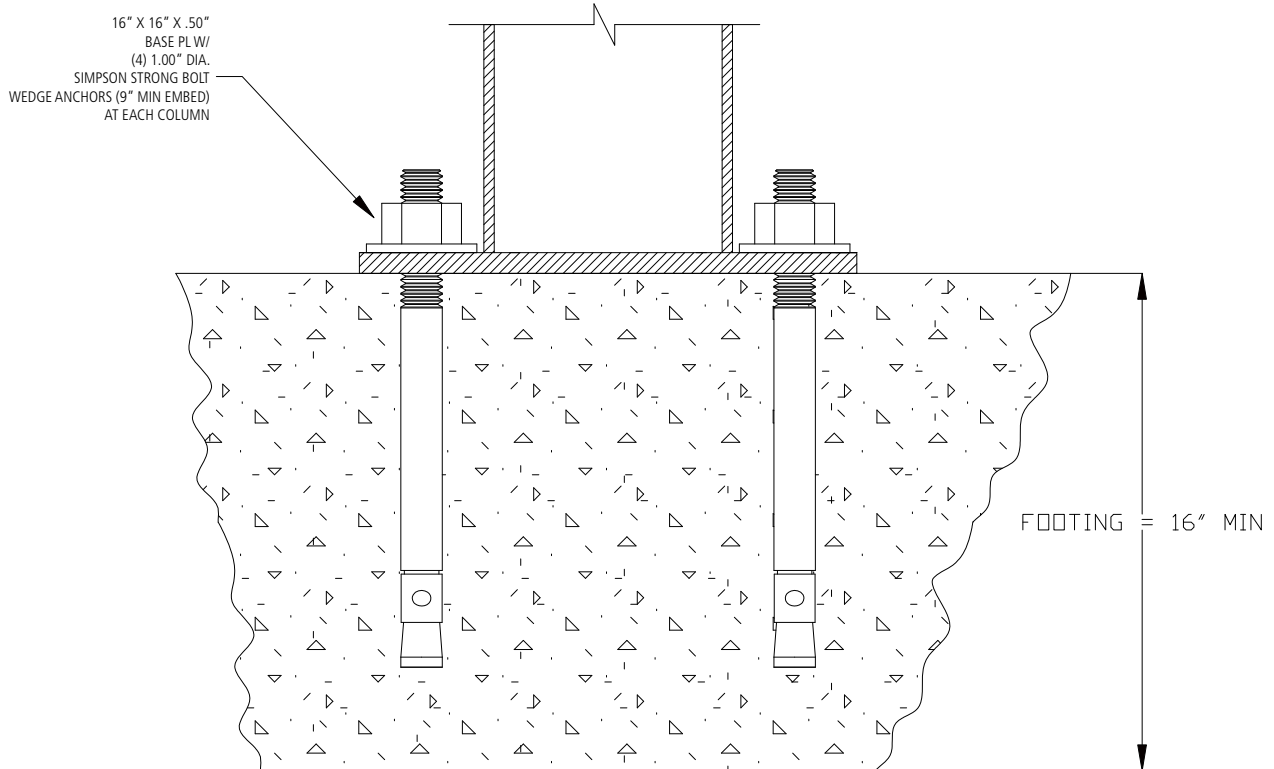
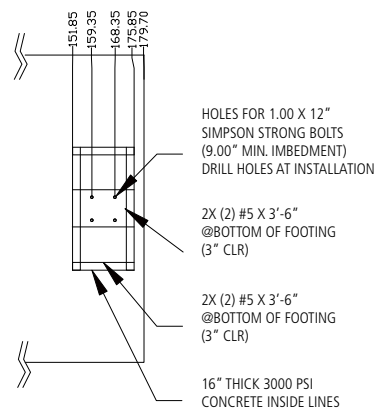
KOLO 2 (SHORT)



KOLO 2 (MEDIUM)

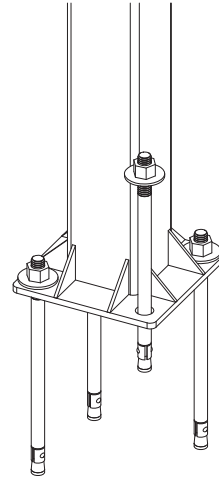
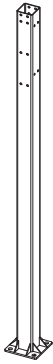
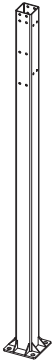


KOLO 2 (LARGE)

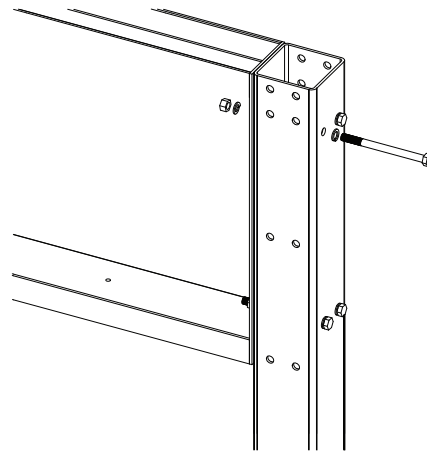
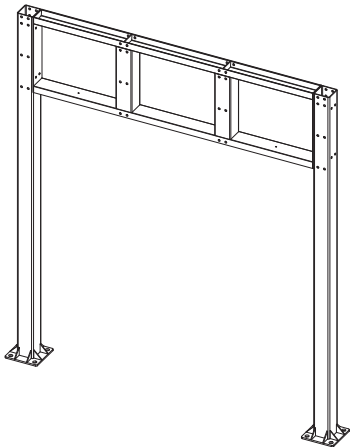




- 1 Place Uprights based on footing diagram and drill (4) 1" diameter holes in concrete 12" deep for each Upright. Drive in Simpson Strong-Bolts and install washers and nuts finger-tight. It's helpful to place a sheet of rubber or thick cardboard between the anchor and Upright to avoid hitting the Upright with the hammer.

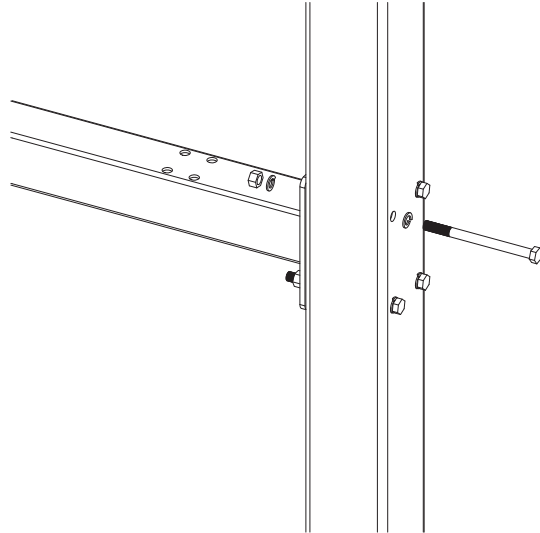
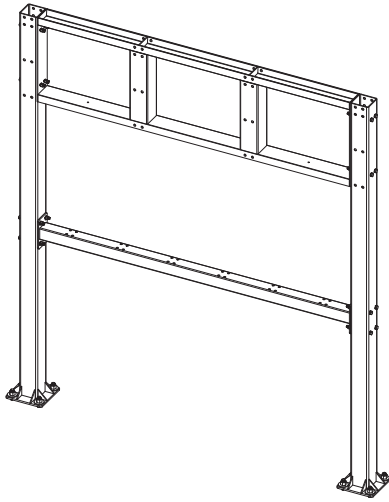


- 2 Lift the Center in place and fasten finger-tight with (8) 5/8x7.5" bolts, lock washers and nuts.

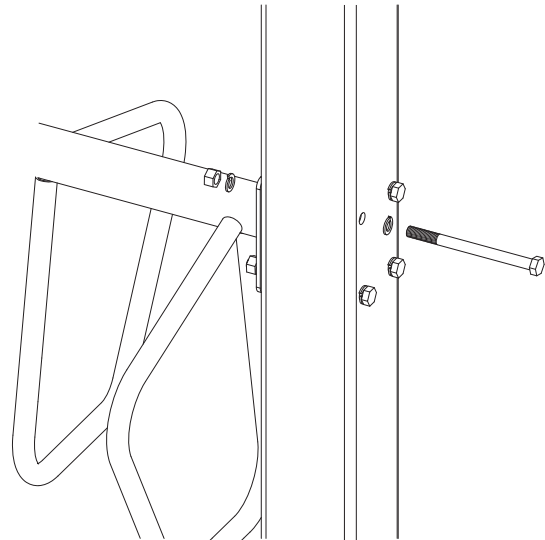
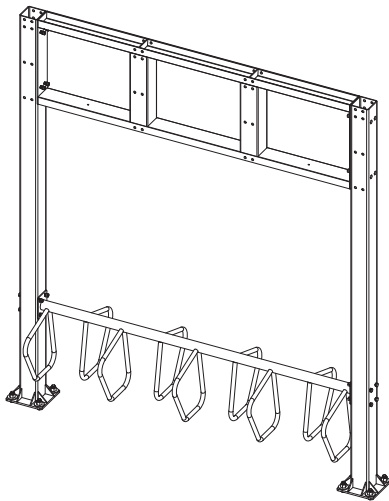




- 3** If building a Kolo shelter with Dero Decker racks, lift the Dero Decker Beam in place and fasten with (8) 5/8x7.5" bolts, lock washers and nuts.



- 4** If building a Kolo shelter with Dero Campus Racks, lift the Campus Rack in place and fasten with (8) 5/8x7.5" bolts, lock washers and nuts.



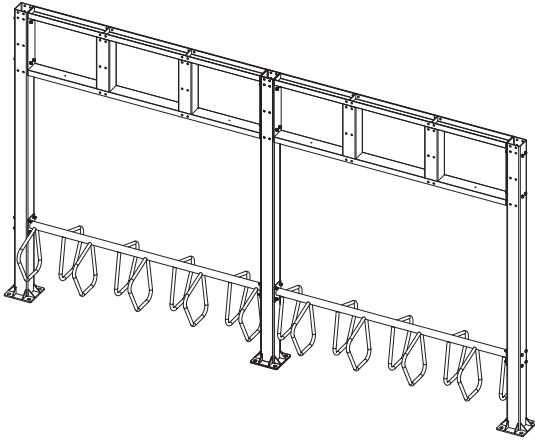


5

If building a modular system of Kolo shelters, continue to place and fasten Uprights, Center Weldments, and Dero Decker Beams/Campus Racks.

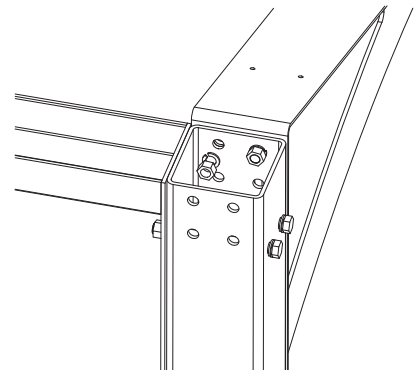
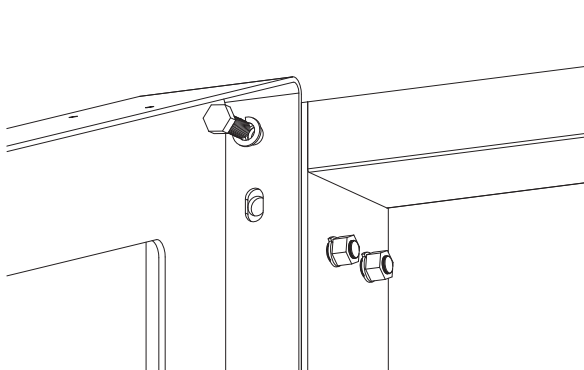
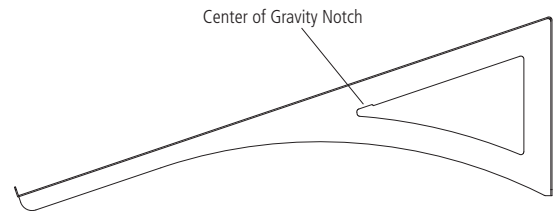
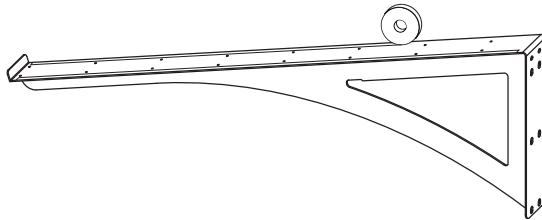
6

Fully tighten all above bolts and nuts. Then tighten Simpson Strong-Bolt nuts to 230 ft-lbs.



7

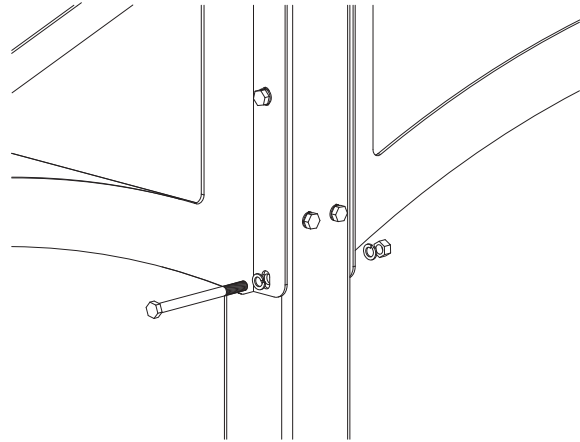
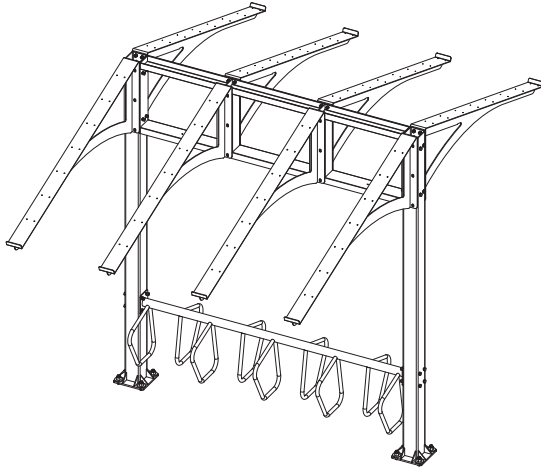
Apply foam rubber tape to the Rafter without covering .30" holes. Working from one end of the shelter to the other, lift a Rafter into place using a lifting strap. Secure the lifting strap at the rafter's center of gravity which is indicated by a notch at the apex of the Rafter cut-out. Once the Rafter is in place, fasten the rafter to the Upright with (2) 5/8x1.5" bolts, (4) lock washers, and (2) nuts using the two upper-most holes. Continue to fasten all remaining Rafters with the above method.





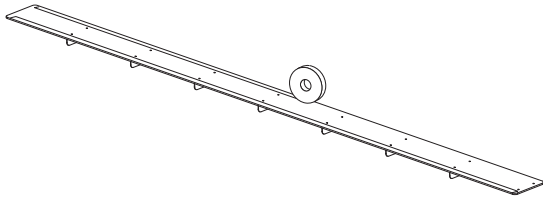
8

Fully secure the Rafters with (6) 5/8x7.5" bolts, (12) lock washers, and (6) nuts for each pair of Rafters



9

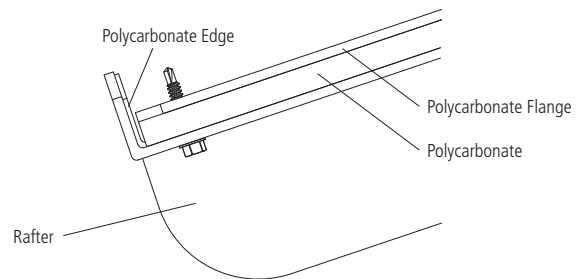
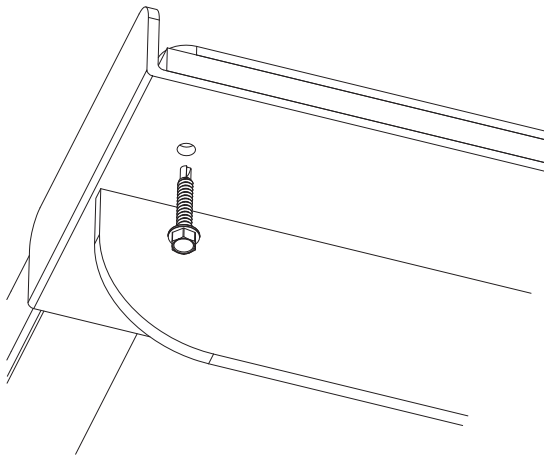
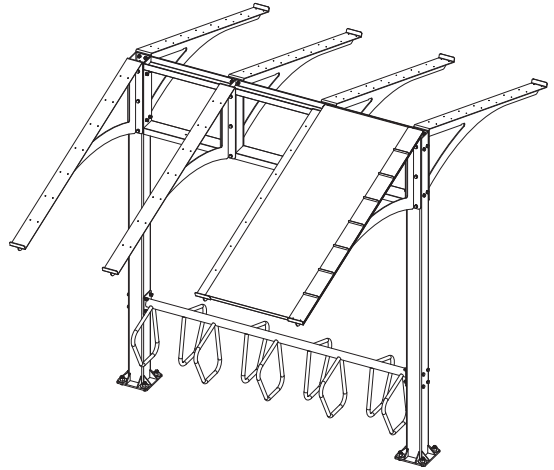
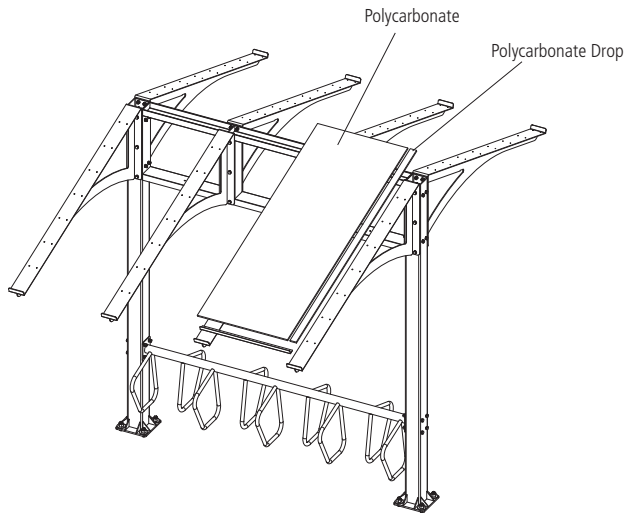
Apply foam rubber tape to the Polycarbonate Flange without covering .20" holes. Place (1) Polycarbonate Drop, (1) Polycarbonate, (1) Polycarbonate Edge in place. Make sure the Polycarbonate Drop is flush with the outside edge of the Rafter and that the Polycarbonate is centered between both Rafters. Use care to not scratch the Polycarbonate. Using the 16 holes in the Polycarbonate Flange and 16 holes in the Rafter, align the Polycarbonate Flange over the Rafter so that the Polycarbonate and Polycarbonate Drop are sandwiched between them. Starting at the holes furthest from the shelter center, secure the Polycarbonate Flange with (16) 1/4x1.5" self-drilling screws. It's recommended that the assembly be clamped together while fastening the first two screws. The self-drilling screws will pass through the Rafter, drill through the Polycarbonate, and tap through the Polycarbonate flange.





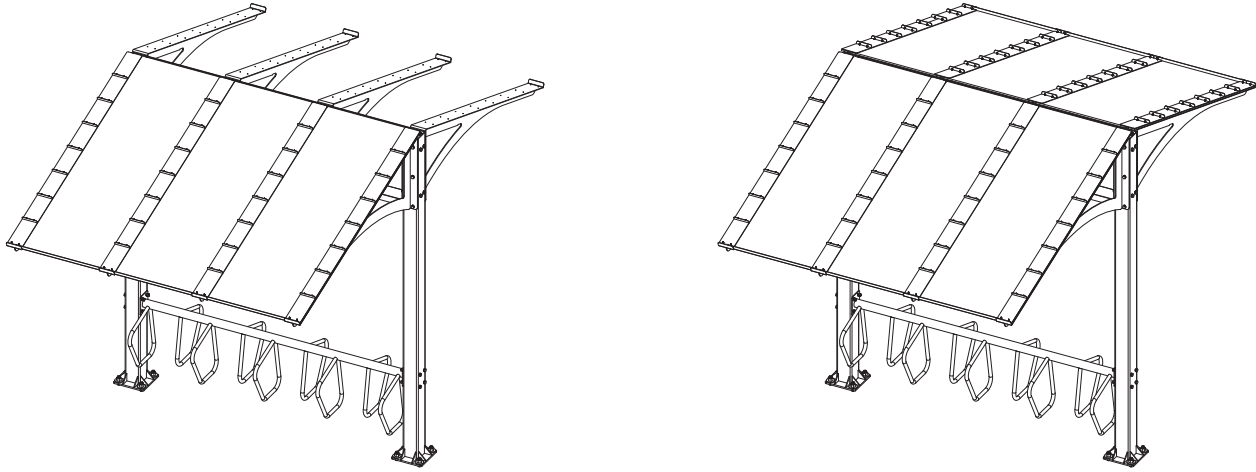
9

(Continued)

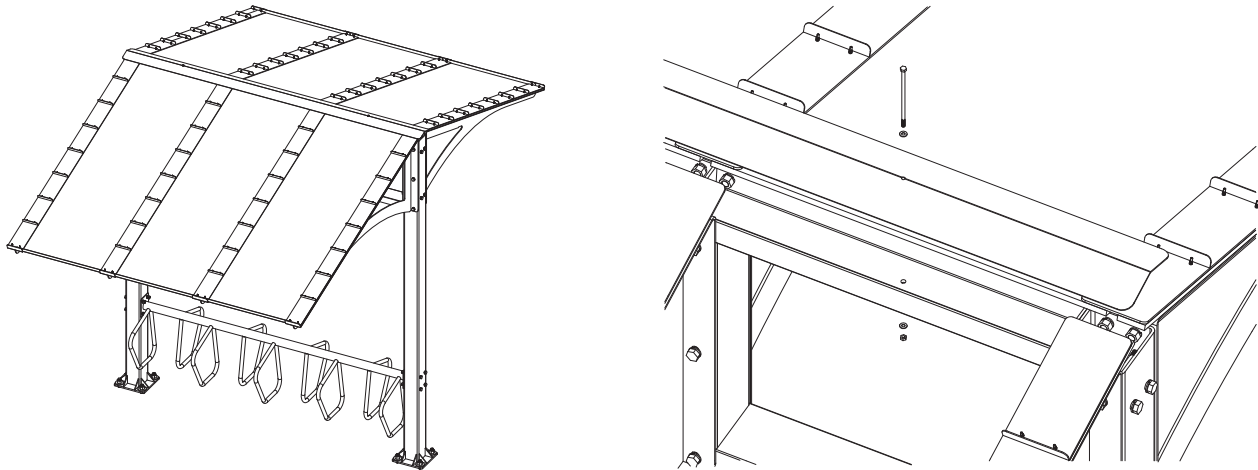




10 Continue installing the remaining Polycarbonates, Polycarbonate Drops, Polycarbonate Edges, and Polycarbonate Flanges.



11 Place the Roof Cap on top of the shelter and secure with (2) 1/4"x6.5" bolts, (4) washers, and (2) lock nuts. Do not over-tighten to avoid bowing of the Roof Cap.





12

If installing Dero Decker bike racks, see Dero Decker instructions.

