

SNYDER



Equipment, Inc.

Storing, Rolling, Lifting since 1947

Dero Compack Rack

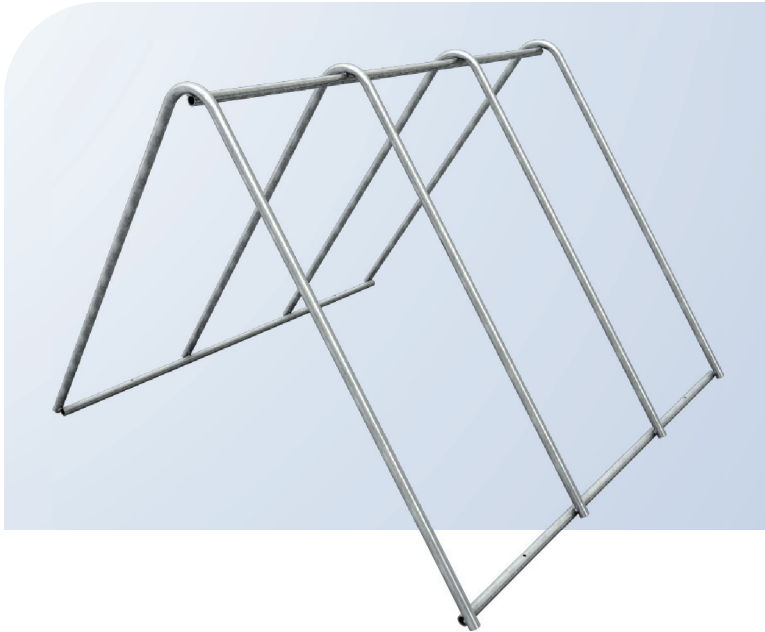
2946 Larimer St. Denver, CO 80205

303-295-1100 / 800-373-7693

FAX 303-295-2464

Email info@snyderequipment.com

www.snyderequipment.com



DERO

COMPACT RACK

- *Stackable for efficient storage*
- *Can be anchored to surface*
- *No assembly required*

The Dero Compact Rack is a portable, stackable and u-lock compatible rack with an 8 bike capacity. With a slightly smaller profile than its bigger sibling, the Event Rack, the Compact Rack is well suited for children's bikes at parks and schools.

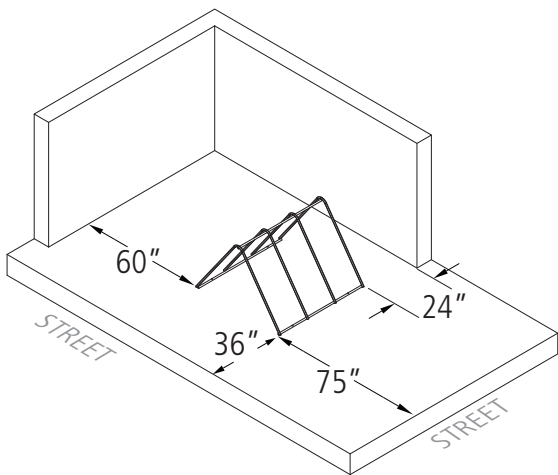
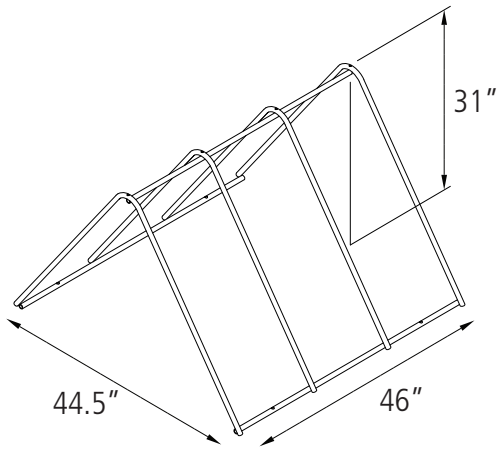
When the Compact Racks are not in use, they stack atop each other for easy storage on a standard pallet.



 www.dero.com  1.800.298.4915



Printed on recycled paper

**Product**

Dero Compact Rack
As manufactured by Dero Bike Racks

Capacity

8 Bikes

Materials

.75" steel tube

**Finishes**

An after fabrication hot dipped galvanized finish is standard.

**Installation Methods**

The Compact Rack is a freestanding unit that may also be bolted to the ground with 3/8" anchors for added security.

**Space Use and Setbacks**

The Compact Rack is 44.5"W x 46" L x 31"H. Each unit holds 8 bikes and can be stored on a standard pallet.



Wall Setback: A minimum of 60" should be left between the wall and the long side of the rack.

Street Setback: For racks set parallel to the street, a 75" setback is recommended. For racks installed perpendicular to the street, 24" is the minimum setback. 36" is recommended.

Between Racks: For racks set next to each other, 24" is the minimum setback. 36" is recommended.